

## Installation and Operation Manual

### OAKPORT-18 LOG OAKPORT-18 MILLIVOLT

Models #OAK-18-LE and #OAK-18-MV  
Direct Vent Gas Stoves

#### ▲ **WARNING:**

#### **FIRE OR EXPLOSION HAZARD**

Failure to follow safety warnings exactly could result in serious injury, death, or property damage.

- Do not store or use gasoline or other flammable vapors and liquids in the vicinity of this or any other appliance.
- **WHAT TO DO IF YOU SMELL GAS**
  - Do not try to light any appliance.
  - Do not touch any electrical switch; do not use any phone in your building.
  - Leave the building immediately.
  - Immediately call your gas supplier from a neighbor's phone. Follow the gas supplier's instructions.
  - If you cannot reach your gas supplier, call the fire department.
- Installation and service must be performed by a qualified installer, service agency or the gas supplier.



# DANGER



**HOT GLASS WILL CAUSE BURNS**

**DO NOT TOUCH GLASS UNTIL COOLED**

**NEVER ALLOW CHILDREN TO TOUCH GLASS**

A barrier designed to reduce the risk of burns from the hot viewing glass is provided with this appliance and shall be installed for the protection of children and other at-risk individuals.

This appliance may be installed in an aftermarket, permanently located, manufactured home (USA only) or mobile home, where not prohibited by local codes.

This appliance is only for use with the type of gas indicated on the rating plate. This appliance is not convertible for use with other gases, unless a certified kit is used.

English and French installation manuals are available through your local dealer. Visit our website [www.kozyheat.com](http://www.kozyheat.com) or scan the QR code for our mobile app.

Les manuels d'installation en français et en anglais sont disponibles chez votre détaillant local. Visitez [www.kozyheat.com](http://www.kozyheat.com) ou scannez ce code QR pour notre application mobile.



**INSTALLER: Leave this manual with the appliance.  
CONSUMER: Retain this manual for future reference.**



Read this manual before installation or operating this appliance.  
Please retain this owner's manual for future reference.

*CONGRATULATIONS!*

*We welcome you as a new owner of a Kozy Heat gas fireplace. Kozy Heat products are designed with superior components and materials, and assembled by trained craftsmen who take pride in their work. To ensure you receive a quality product, the burner and valve assembly are 100 percent test-fired, and the complete fireplace is thoroughly inspected before packaging. Our commitment to quality and customer satisfaction has remained the same for 40 years. We offer a complete line of gas and wood fireplaces, along with stylish accessories to complement any decor. Adding a fireplace is one of the best ways to increase the value of your home, and we are proud to offer a network of dealers throughout the country to help make your experience everything you imagine. We pride ourselves in being dedicated not only to functionality and reliability, but also customer safety. We offer our continual support and guidance to help you achieve the maximum benefit and enjoyment from your Kozy Heat gas fireplace.*

Jim Hussong  
President



Dudley Hussong  
Board Chairman



**Homeowner Reference Information**

*We recommend you record the following information:*

Model Name: \_\_\_\_\_ Date purchased/installed: \_\_\_\_\_

Serial Number: \_\_\_\_\_ Location of fireplace: \_\_\_\_\_

Dealership Purchased from: \_\_\_\_\_ Dealer phone: \_\_\_\_\_

Notes: \_\_\_\_\_

\_\_\_\_\_

\_\_\_\_\_

\_\_\_\_\_



# TABLE OF CONTENTS

<b>TABLE OF CONTENTS</b> .....	<b>5</b>	<b>7.0 FIREPLACE SET UP</b> .....	<b>20</b>
<b>1.0 INTRODUCTION</b> .....	<b>7</b>	7.1 Safety Barrier Installation.....	20
1.1 Appliance Certification .....	7	7.2 Glass Frame Assembly .....	20
1.2 Requirements for the Commonwealth of Massachusetts .....	7	7.3 #OP18-500 Log Set Installation .....	21
<b>2.0 SPECIFICATIONS</b> .....	<b>8</b>	7.4 Control Board Removal and Installation.....	22
2.1 Appliance Packaging Components .....	8	<b>8.0 ELECTRICAL INFORMATION</b> .....	<b>23</b>
2.2 Heating Specifications.....	8	8.1 Electrical Specifications.....	23
2.3 Appliance Dimensions .....	9	8.2 Wiring Requirements.....	23
2.4 Safety Barrier Dimensions .....	10	8.3 #OP18-028 Optional Fan Kit.....	26
<b>3.0 FRAMING</b> .....	<b>11</b>	<b>9.0 OPERATING INSTRUCTIONS</b> .....	<b>27</b>
3.1 Appliance Placement Considerations.....	11	9.1 Lighting Instructions (#OAK-18-LE).....	27
3.2 Floor Support and Protection.....	12	9.2 Lighting Instructions (#OAK-18-MV) .....	29
3.3 Vent Termination Framing.....	12	<b>10.0 ADJUSTMENT</b> .....	<b>30</b>
<b>4.0 GAS LINE CONNECTION</b> .....	<b>13</b>	10.1 Gas Pressure Testing.....	30
4.1 Gas Conversion (sold separately) .....	13	10.2 Burner Flame Adjustments .....	32
4.2 Gas Pressures.....	13	<b>11.0 TROUBLESHOOTING</b> .....	<b>35</b>
4.3 Gas Line Installation.....	13	11.1 Electronic Ignition System Troubleshooting.....	35
<b>5.0 TERMINATION LOCATIONS</b> .....	<b>14</b>	11.2 Continuous Pilot Ignition (Millivolt) System Troubleshooting.....	37
5.1 Vertical Vent Cap Termination .....	14	<b>12.0 MAINTENANCE</b> .....	<b>39</b>
5.2 Minimum Termination Clearances .....	15	12.1 Burner and Pilot System .....	39
<b>6.0 VENTING</b> .....	<b>16</b>	12.2 Fan (optional) .....	39
6.1 Approved 4" x 65/8" Vent Systems .....	16	12.3 Vent System.....	39
6.2 Venting Requirements.....	16	12.4 Glass Assembly .....	39
6.3 Elbows.....	16	<b>13.0 REPLACEMENT PARTS LIST</b> .....	<b>40</b>
6.4 Vent Restriction .....	17	<b>LIMITED WARRANTY</b> .....	<b>41</b>
6.5 Vertical Terminations.....	18	<b>LIFETIME WARRANTY</b> .....	<b>43</b>
6.6 Combination Venting.....	19		



# 1.0 INTRODUCTION

## 1.1 Appliance Certification

Laboratory: OMNI-Test Laboratories in Portland, Oregon

Standards:

ANSI Z21.88-2014/CSA 2.33-2014, Vented Gas Fireplace Heaters  
CGA 2.17-M91 (R2009), Gas-Fired Appliances for Use at High Altitudes

This installation must conform with local codes, or in the absence of local codes, with the National Fuel Gas Code, ANSI Z223.1/ NFPA 54, or the Natural Gas and Propane Installation Code, CSA B149.1.

## 1.2 Requirements for the Commonwealth of Massachusetts

*The following requirements reference various Massachusetts and national codes not contained in this manual.*

For all sidewall horizontally vented gas fueled equipment installed in every dwelling, building or structure used in whole or in part for residential purposes, including those owned or operated by the Commonwealth and where the side wall exhaust vent termination is less than (7) feet above finished grade in the area of the venting, including but not limited to decks and porches, the following requirements shall be satisfied:

### 1.2.1 Installation of Carbon Monoxide Detectors

At time of installation of side wall horizontally vented gas fueled equipment, the installing plumber or gas-fitter shall observe that a hard wired carbon monoxide detector with an alarm and battery back-up is installed on the floor level where the gas equipment is to be installed. In addition, the installing plumber or gas-fitter shall observe that a battery operated or hard wired carbon monoxide detector is installed on each additional level of the dwelling, building or structure served by the side wall horizontal vented gas fueled equipment. It shall be the responsibility of the property owner to secure the services of qualified licensed professionals for the installation of hard wired carbon monoxide detectors.

In the event that the side wall horizontally vented gas fueled equipment is installed in a crawl space or attic, the hard wired carbon monoxide detector with alarm and battery back-up may be installed on the next adjacent floor level. In the event that the requirements of this subdivision can not be met at the time of completion of installation, the owner shall have a period of thirty (30) days to comply with the above requirements; provided, however, that during said thirty (30) day period, a battery operated carbon monoxide detector with an alarm shall be installed.

### 1.2.2 Approved Carbon Monoxide Detectors

Each carbon monoxide detector as required in accordance with the above provisions shall comply with NFPA 720 and be ANSI/UL 2034 listed and IAS certified.

### 1.2.3 Signage

A metal or plastic identification plate shall be permanently mounted to the exterior of the building at a minimum of eight (8) feet above grade directly in line with the exhaust vent terminal for the horizontally vented gas fueled heating appliance or equipment. The sign shall read, in print no less the one-half inch (1/2) in size, "GAS VENT DIRECTLY BELOW. KEEP CLEAR OF ALL OBSTRUCTIONS".

### 1.2.4 Inspection

The state or local gas inspector of the side wall horizontally vented gas fueled equipment shall not approve the installation unless, upon inspection, the inspector observes carbon monoxide detectors and signage installed in accordance with the provisions of 248 CMR 5.08 (2) (a) 1 through 4.

### 1.2.5 Exemptions

The following equipment is exempt from 248 CMR 5.08 (2) (a) 1 through 4: The equipment listed in Chapter 10 entitled "Equipment Not Required To Be Vented" in the most current edition of NFPA 54 as adopted by the Board; and Product Approved side wall horizontally vented gas fueled equipment installed in a room or structure separate from the dwelling, building or structure used in whole or in part for residential purposes.

### 1.2.6 Manufacturer Requirements

#### 1.2.6.1 Gas Equipment Venting System Provided

When the manufacturer of Product Approved side wall horizontally vented gas equipment provides a venting system design or venting system components with the equipment, the instructions provided by the manufacturer for installation of the equipment and the venting system shall include:

- Detailed instructions for the installation of the venting system design or the venting system components; and
- A complete parts list for the venting system design or venting system.

#### 1.2.7 Gas Equipment Venting System NOT Provided

When the manufacturer of Product Approved side wall horizontally vented gas equipment does not provide the parts for venting the flue gases, but identifies "special venting systems", the following requirements shall be satisfied by the manufacturer:

- The referenced "special venting systems" instructions shall be included with the appliance or equipment installation instructions and;
- The "special venting systems" shall be Product Approved by the Board, and the instructions for that system shall include a parts list and detailed installation instructions.

A copy of all installation instructions for all Product Approved side wall horizontally vented gas fueled equipment, all venting instructions, all parts lists for venting instructions, and/or all venting design instructions shall remain with the appliance or equipment at the completion of the installation.

## 2.0 SPECIFICATIONS

### 2.1 Appliance Packaging Components

Part Number	Description
700-203	Manual Gas Shut-off Valve
OP18-500	Log Package
OP18-057T	Glass Frame Assembly
900-085	4 in (102 mm) Restrictor Plate

#### 2.1.1 Additional Components Required

Refer to Section 6.0 Venting on page 16 for approved vent systems.

### 2.2 Heating Specifications

<i>Models OAK-18-LE and OAK-18-MV</i>		
	Natural Gas	LP Gas
<b>Maximum Input Rating</b>	24,500 Btu/h (7.2 kW)	24,500 Btu/h (7.2 kW)
<b>Minimum Input Rating</b>	15,500 Btu/h (4.5 kW)	19,000 Btu/h (5.7 kW)
<b>Manifold Pressure (High)</b>	3.5" WC (0.87 kPa)	10" WC (2.48 kPa)
<b>Manifold Pressure (Low)</b>	1.6" WC (0.41 kPa)	6.4" WC (1.59 kPa)
<b>Orifice Size (DMS)</b>	#43	#54

#### 2.2.1 Altitude Adjustment

*This appliance may be installed at higher altitudes. Please refer to National Fuel Gas Code ANSI Z223.1/NFPA 54, CSA-B149.1 Natural Gas and Propane Installation Code, local authorities, or codes having jurisdiction in your area regarding derate guidelines.*

##### 2.2.1.1 US Installations

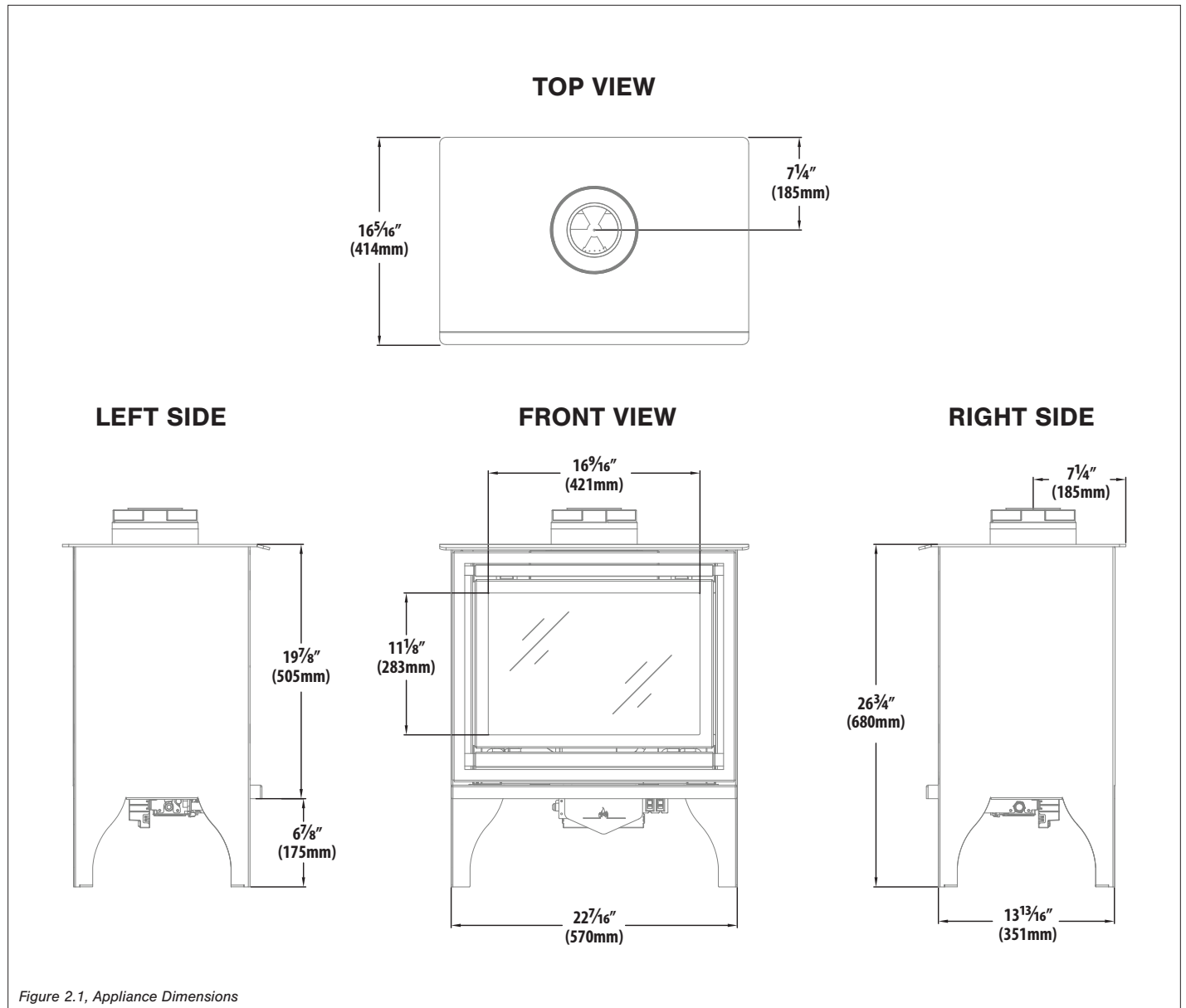
Refer to the American Gas Association guidelines for the gas designed appliances derating method. For elevations above 2,000 ft (610 m), input ratings are to be reduced by 4% for each 1,000 ft (305 m) above sea level.

##### 2.2.1.2 Canadian Installations

When the appliance is installed at elevations above 4,500 ft (1,372 m), the certified high altitude rating shall be reduced at the rate of 4% for each additional 1,000 ft (305 m).



## 2.3 Appliance Dimensions

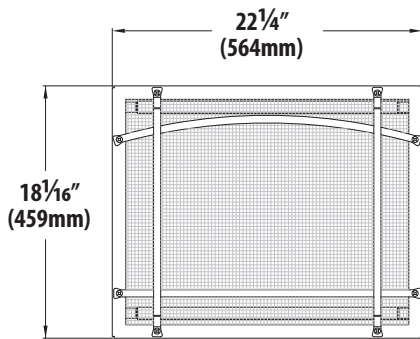


## 2.4 Safety Barrier Dimensions

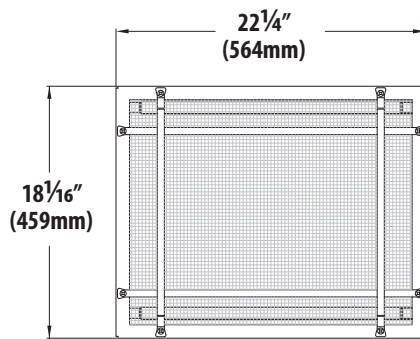
**WARNING:** A barrier designed to reduce the risk of burns from the hot viewing glass is provided with this appliance and shall be installed for the protection of children and other at-risk individuals.

**If the barrier becomes damaged, the barrier shall be replaced with Hussong Mfg.'s barriers for this appliance. Only doors certified with the appliance shall be used.**

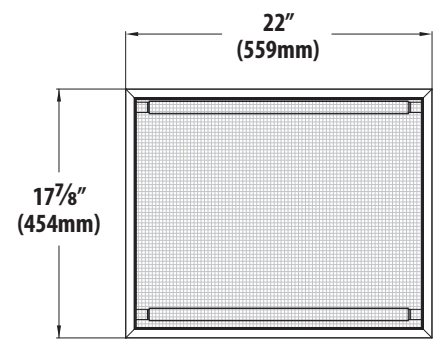
Please refer to Section 7.1 Safety Barrier Installation on page 20 for installation instructions.



OP18A-POL



OP18-POL



OP18-SCR

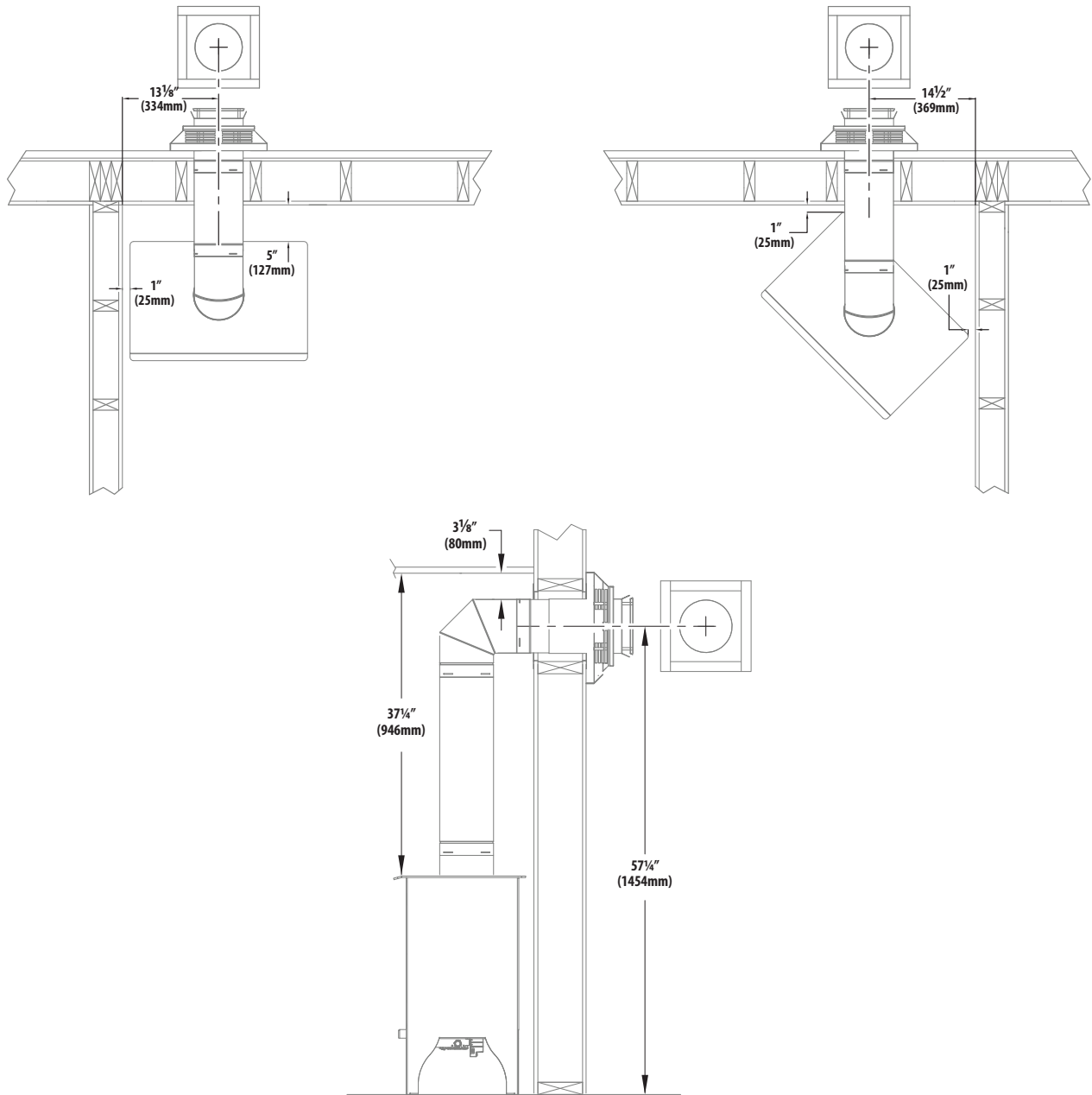
# 3.0 FRAMING

## 3.1 Appliance Placement Considerations

**WARNING:** Due to high temperatures, the appliance should be located out of traffic and away from furniture and draperies.

**FIRE HAZARD:** Do NOT install this appliance directly on carpeting, vinyl, or any other combustible material other than wood.

- This appliance must be installed on a level surface capable of supporting the fireplace and venting. If possible, place the fireplace in a position where the vent terminates between two studs, eliminating the need for any additional framing.
- This fireplace may be installed in a bedroom.
- Please be aware of the large amount of heat this fireplace will produce when determining a location.



**Table 3.1, Minimum Clearances to Combustible Material**

From appliance top corners to side and back walls	1 in	25 mm
From appliance top to back wall	5 in	127 mm
From appliance top to ceiling	37-1/4 in	946 mm
From top of horizontal pipe surface to ceiling	3-1/8 in	80 mm

Figure 3.1, Typical Install Options

## 3.2 Floor Support and Protection

- The fireplace must be placed directly on a wood or non-combustible surface (not linoleum or carpet) extending the entire depth and width of the fireplace.
- If this appliance is to be installed directly on carpeting, tile, or other combustible material other than wood flooring, this appliance shall be installed on a metal or wood panel extending the full width and depth of the appliance.
- If the appliance is to be installed above floor level, a solid, continuous platform must be constructed below the appliance.

## 3.3 Vent Termination Framing

**IMPORTANT:** Vent cap location must be in compliance with Section 5.2 Minimum Termination Clearances on page 15.

**WARNING:** DO NOT RECESS THE VENT CAP INTO WALL OR SIDING.

### 3.3.1 Vertical Terminations

**CAUTION:** Cold air transfer area. The surrounding fireplace chase must comply with all clearances as outlined in this manual, and be constructed in compliance with local building codes. Outside walls should be insulated to prevent cold air from entering room.

- Follow vent pipe manufacturer's installation instructions for vertical terminations.
- A minimum of 1 in (25 mm) clearance on all sides of the vertical vent pipe must be maintained.
- Attic insulation shields may be insulated using unfaced insulation products listed as non-combustible per ASTM E 136.

### 3.3.2 Horizontal Terminations

**IMPORTANT:** Horizontal vent sections require 1/4 in (6 mm) rise for every 12 in (305 mm) of travel.

**NOTE:** Elbows listed with approved vent systems for this appliance vary in vertical length. Please consult the vent manufacturer's instructions to determine the elbow dimension used for installation. Adjust the wall pass-through rough opening dimensions as necessary to maintain clearance requirements.

1. Measure from floor level of the fireplace to the center of where the vent pipe will penetrate the wall.
2. Cut and frame an opening in the wall to allow the vent system to run level through the wall pass-through. A minimum of 1 in (25 mm) clearance on all sides of the horizontal vent pipe at the wall pass-through must be maintained. These thimbles may be insulated using any unfaced insulation products listed as non-combustible per ASTM E 136.
3. Follow the vent pipe manufacturer's installation instructions for vent installation.

## 4.0 GAS LINE CONNECTION

### 4.1 Gas Conversion (sold separately)

**ATTENTION:** *The conversion shall be carried out in accordance with the requirements of the provincial authorities having jurisdiction and in accordance with the requirements of the ANSI Z223.1 installation code.*

This fireplace is manufactured for use with natural gas. Follow the instructions included with the conversion kit if converting to LP gas.

### 4.2 Gas Pressures

**NOTE:** *The appliance and its individual shutoff valve must be disconnected from the gas supply piping system during any pressure testing of that system at pressures in excess of 1/2 psi (3.5 kPa). For test pressures equal to or less than 1/2 psi (3.5 kPa), the appliance must be isolated from the gas supply piping system by closing its individual manual shut-off valve.*

- For high altitude installations, consult the local gas distributor or the authority having jurisdiction for proper rating methods.
- For pressure testing instructions, refer to Section 10.1 Gas Pressure Testing on page 30.

Gas Pressure	Natural Gas	LP Gas
Minimum Inlet Pressure	5" WC (1.25 kPa)	12" WC (2.99 kPa)
Maximum Inlet Pressure	10.5" WC (2.62 kPa)	13" WC (3.24 kPa)

Gas Pressure	Natural Gas	LP Gas
Minimum Inlet Pressure	5" WC (1.25 kPa)	11" WC (2.74 kPa)
Maximum Inlet Pressure	10.5" WC (2.62 kPa)	13" WC (3.24 kPa)

### 4.3 Gas Line Installation

**CAUTION:** *Installation of the gas line must only be done by a qualified person in accordance with local building codes, if any. If not, follow ANSI 223.1. Commonwealth of Massachusetts installations must be done by a licensed plumber or gas fitter.*

- A listed (and Commonwealth of Massachusetts approved) 1/2 in. (13 mm) tee handle manual shut-off valve and flexible gas connector are to be connected to the 1/2 in. (13 mm) control valve inlet. If substituting for these components, please consult local codes for compliance.
- This fireplace is equipped with a 3/8" (10 mm) x 36" (914 mm) long flexible gas connector and manual shut-off valve.
- The gas line should be run to the point of connection where the shut-off valve and flexible gas line will connect.
- Do not run gas line in a manner that would obstruct fan operation.

# 5.0 TERMINATION LOCATIONS

## 5.1 Vertical Vent Cap Termination

**WARNING:** This gas appliance must not be connected to a chimney flue serving a separate solid fuel burning appliance.

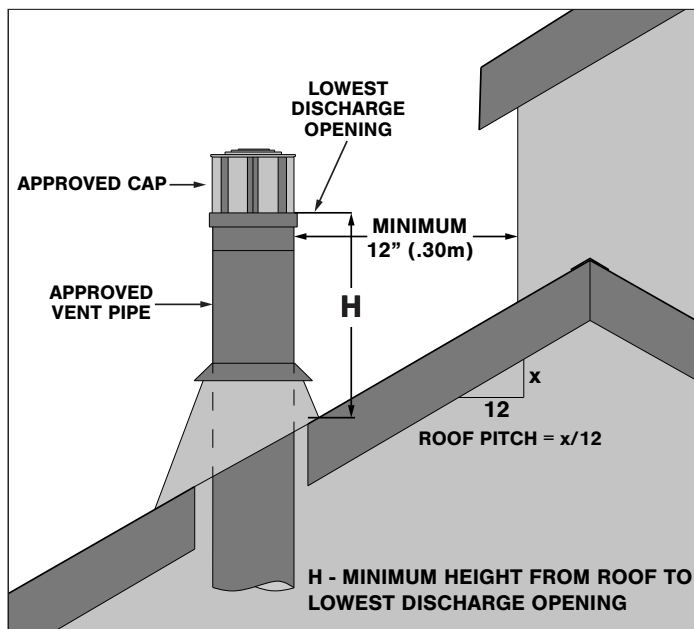
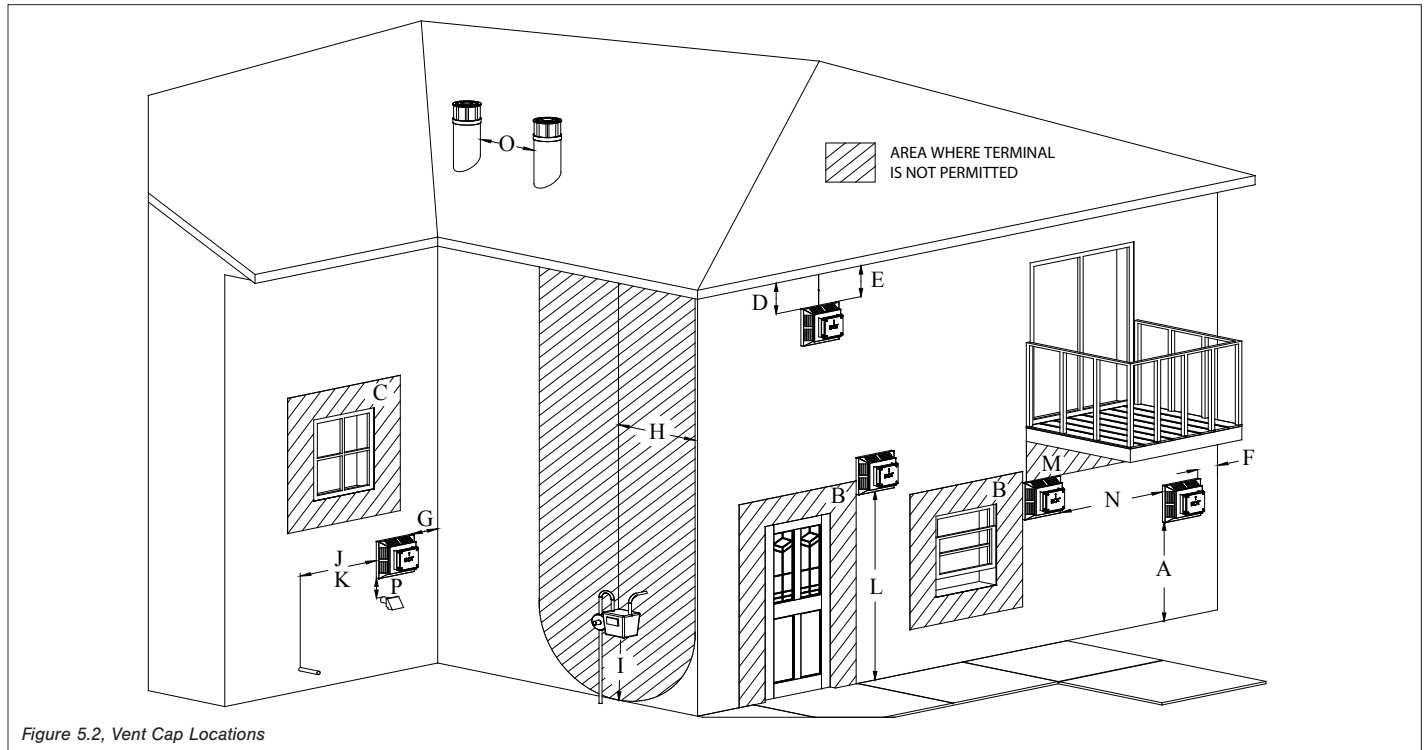


Figure 5.1, Vertical Vent Cap Clearance

Roof Pitch	Minimum height (H) from roof	
	Feet	Meters
Flat to 6/12	1.0	0.30
Over 6/12 to 7/12	1.25	0.38
Over 7/12 to 8/12	1.5	0.46
Over 8/12 to 9/12	2.0	0.61
Over 9/12 to 10/12	2.5	0.76
Over 10/12 to 11/12	3.25	0.99
Over 11/12 to 12/12	4.0	1.22
Over 12/12 to 14/12	5.0	1.52
Over 14/12 to 16/12	6.0	1.83
Over 16/12 to 18/12	7.0	2.13
Over 18/12 to 20/12	7.5	2.27
Over 20/12 to 21/12	8.0	2.44

## 5.2 Minimum Termination Clearances



		Canadian installations	US installations
A	Clearance above grade, veranda, porch, deck, or balcony	12 in (30 cm)	12 in (30 cm)
B	Clearance to window or door that may be opened	12 in (30 cm)	9 in (23 cm)
C	Clearance to permanently closed window (recommended to prevent condensation on window)	12 in (30 cm)*	12 in (30 cm)*
D	Vertical clearance to ventilated soffit located above the terminal within a horizontal distance of 2 feet (61 cm) from the center line of the terminal	24 in (61 cm)*	24 in (61 cm)*
E	Clearance to unventilated soffit	12 in (30 cm)*	12 in (30 cm)*
F	Clearance to outside corner	0 in (0 cm)*	0 in (0 cm)*
G	Clearance to inside corner	12 in (30 cm)*	12 in (30 cm)
H	Clearance to each side of center line extended above meter/regulator assembly	3 ft (91 cm) within a height 15 ft (4.5 m) above the meter/regulator assembly	*
I	Clearance to service regulator vent outlet	3 ft (91 cm)	*
J	Clearance to non mechanical air supply inlet to building or the combustion air inlet to any other appliance	12 in (30 cm)	9 in (23 cm)
K	Clearance to mechanical air supply inlet	6 ft (1.83 m)	3 ft (91 cm) above if within 10 ft (3 m) horizontally Massachusetts: 10 ft (3 m)
L	Clearance above paved sidewalk or paved driveway located on public property	7 ft (2.13 m)†	*
M	Clearance under veranda, porch deck, or balcony	12 in (30 cm)‡	12 in (30 cm)
N	Clearance between two horizontal terminations	12 in (30 cm)	12 in (30 cm)
O	Clearance between two vertical terminations (may be same height)	12 in (30 cm)	12 in (30 cm)
P	Above furnace exhaust or inlet	12 in (30 cm)	12 in (30 cm)

\* Clearance in accordance with local installation codes and the requirements of the gas supplier.

† A vent shall not terminate directly above a sidewalk or paved driveway that is located between two single family dwellings and serves both dwellings.

‡ Permitted only if veranda, porch, deck, or balcony is fully open on a minimum of two sides beneath the floor.

**VINYL SOFFIT, VINYL CEILING, AND VINYL OVERHANG DISCLAIMER:** Clearances to heat resistant material (i.e. wood, metal). This does not include vinyl. Hussong Manufacturing Co., Inc. will not be held responsible for heat damage caused from terminating under vinyl overhangs, vinyl ceilings, or vinyl ventilated/unventilated soffits.

## 6.0 VENTING

### 6.1 Approved 4" x 65/8" Vent Systems

Vent Manufacturer	Direct Vent System	Termination
American Metal Products	Ameri-Vent	Horizontal & Vertical
BDM	Pro-Form <b>EXCEPT</b> <b>CAP 940264</b>	Horizontal & Vertical
ICC	EXCELDirect	Horizontal & Vertical
Metal Fab	Direct Vent Chimney	Horizontal & Vertical
Olympia Chimney Supply, Inc.	Ventis Direct Vent	Horizontal & Vertical
Security	Direct Vent Chimney	Vertical only
Selkirk	Direct Temp	Horizontal & Vertical
Simpson DuraVent	DV-GS <b>EXCEPT</b> <b>CAP 46DVASNK14</b>	Horizontal & Vertical

### 6.2 Venting Requirements

**Consult the local and national installation codes to assure adequate combustion and ventilation air is available. Venting requirements apply to both natural gas and LP gas.**

- Flame height and appearance will vary depending upon venting configuration and the type of fuel used.
- Refer to the vent manufacturer's installation manual for complete installation instructions. Vent installation must conform with venting requirements and restrictions as outlined in this manual.
- Provide a means for visually checking the vent connection to the appliance after the fireplace is installed.
- A minimum of 1 in (25 mm) clearance on all sides of the vertical vent pipe must be maintained.
- A minimum of 1 in (25 mm) clearance on all sides of the horizontal vent pipe at the wall pass-through must be maintained. Wall thimble products that comply with the required 1 in (25 mm) clearance to combustibles must be installed for all horizontal vent runs that pass through interior or exterior walls. These wall thimble products may be insulated using unfaced insulation products listed as noncombustible per ASTM E 136.
- This fireplace may be vented through a 6 in (152 mm) or larger Class-A metal chimney, or a co-axial masonry chimney if an approved adapter is used. Refer to the vent manufacturer's installation instructions.

### 6.3 Elbows

- MAXIMUM NUMBER OF 90° ELBOWS: 5
- For each additional 90° elbow used after the first elbow, 3 ft (91.4 cm) must be subtracted from maximum venting allowed.
- For each 45° elbow used, 1½ ft (457 mm) must be subtracted from maximum venting allowed.
- (2) 45° degree elbows may be used in place of (1) 90° elbow.



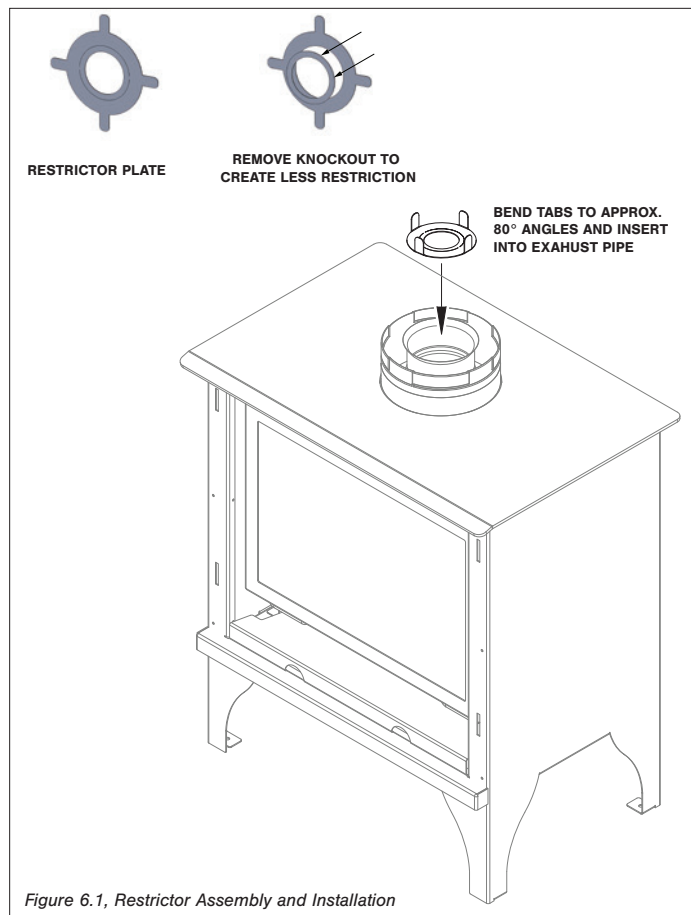
## 6.4 Vent Restriction

Vertical terminations may display an active, compact flame. To achieve desirable flame appearance, the vent exhaust may be restricted by the restrictor plate (included in components packet) and/or by adjusting the built-in restrictor located in the fireplace baffle. This fireplace is shipped with the baffle restrictor set in position for natural gas minimum horizontal venting.

Hussong Manufacturing has outlined vent restriction recommendations with for vent configurations listed in the following pages. Follow the instructions below and vent restriction recommendations on the following pages for optimal flame appearance.

### 6.4.1 Restrictor Plate Assembly and Installation

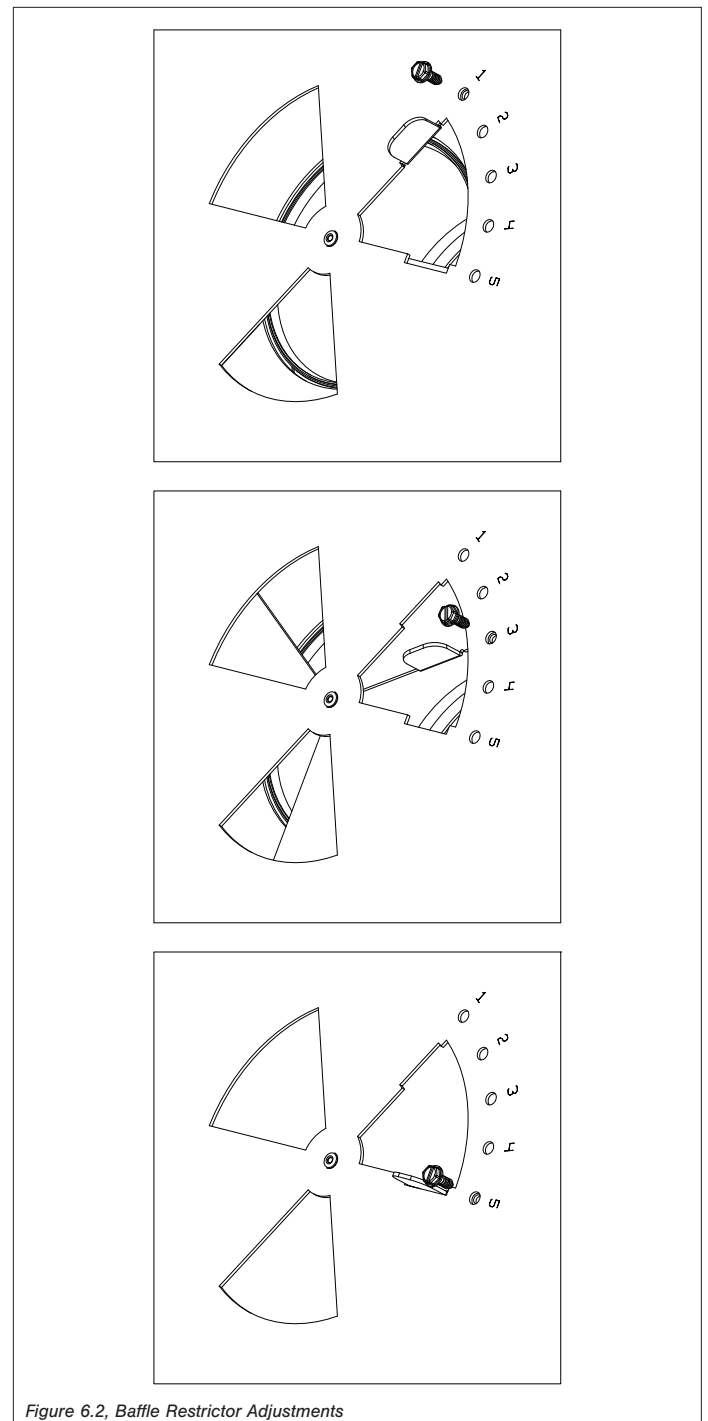
Follow Figure 6.1 for restrictor plate installation before attaching venting. For vent restriction plate recommendations after vent installation, see Section 10.2.2 Vent Restriction on page 33.



### 6.4.2 Baffle Restriction

This fireplace is shipped with the baffle restrictor set in position for natural gas minimum horizontal venting. Hussong Manufacturing has outlined baffle restrictor adjustments for vent configurations listed on the following pages. To adjust the baffle restrictor,

1. Remove the safety barrier and glass frame assembly.
2. Remove and save (1) screw to adjust the baffle restrictor to achieve desired flame appearance.
3. Secure the baffle restrictor with (1) screw previously removed.
4. Reinstall all components previously removed.

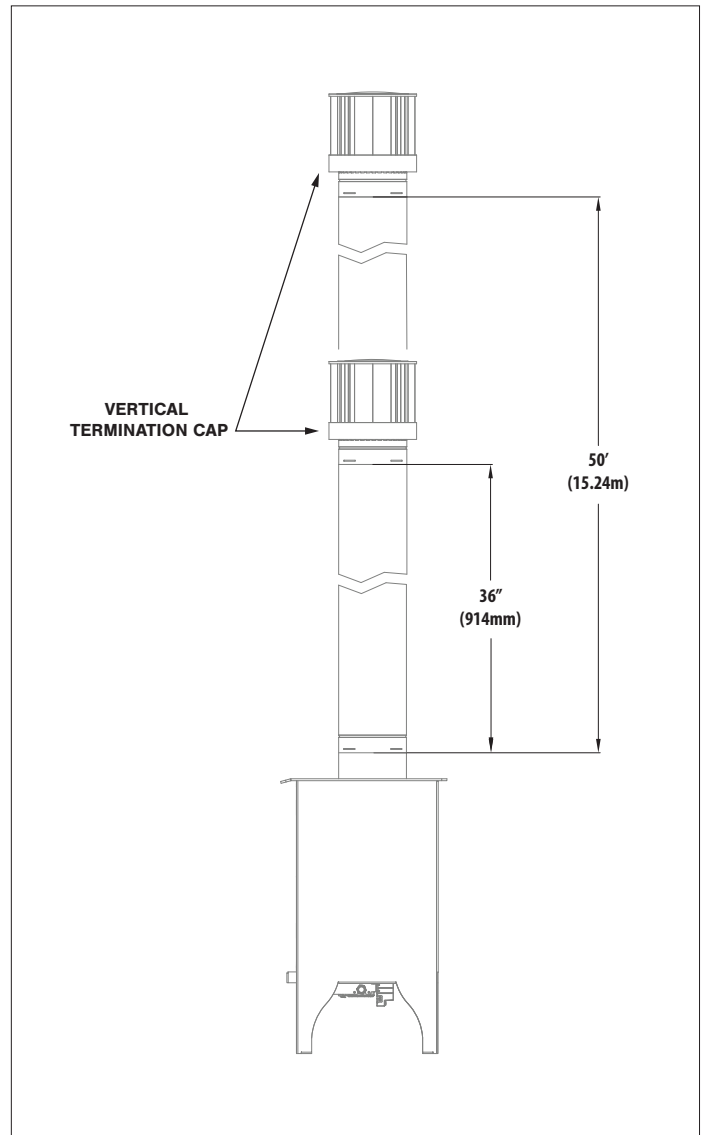


## 6.5 Vertical Terminations

**NOTE:** Attic insulation shields may be insulated using unfaced insulation products listed as non-combustible per ASTM E 136.

Table 6.1, NG & LPG - Minimum / Maximum Vertical Terminations			
Minimum Vertical Length		Maximum Vertical Length	
36 in	914 mm	50 ft	15.2 m

Table 6.2, Recommended Restriction for Vertical Terminations			
Gas Type	Vent Configuration	Baffle Position	Restrictor
NG	Minimum vertical	Setting (5)	Install restrictor - Remove knockout
NG	Maximum vertical	Setting (5)	Install restrictor - Remove knockout
LP	Minimum vertical	Setting (5)	Install restrictor - Remove knockout
LP	Maximum vertical	Setting (5)	Install restrictor - Remove knockout



## 6.6 Combination Venting

**IMPORTANT:** Horizontal vent sections require  $\frac{1}{4}$  in (6 mm) rise for every 12 in (305 mm) of travel.

**Table 6.3, NG & LPG - Minimum Horizontal Vent Terminations**

Minimum Vertical Rise		Minimum Horizontal Run		Maximum Horizontal Run	
24 in	610 mm	6 in	152 mm	48 in	1219 mm

**Table 6.4, NG & LPG - Max Vertical / Max Horizontal Combination**

Maximum Vertical Rise		Maximum Horizontal Run		Total Length	
25 ft	7.6 m	25 ft	7.6 m	50 ft	15.2 m
Maximum number of 90° elbows: 5					

**Table 6.5, Recommended Restriction for Combination Venting**

Gas Type	Vent Configuration	Baffle Position	Restrictor
NG	Min vert / min horz	Setting (3)	None
NG	Min vert / max horz	Setting (1)	None
NG	Max vert / max horz	Setting (5)	Install restrictor
LP	Min vert / min horz	Setting (2)	None
LP	Min vert / max horz	Setting (5)	None
LP	Max vert / max horz	Setting (5)	Install restrictor

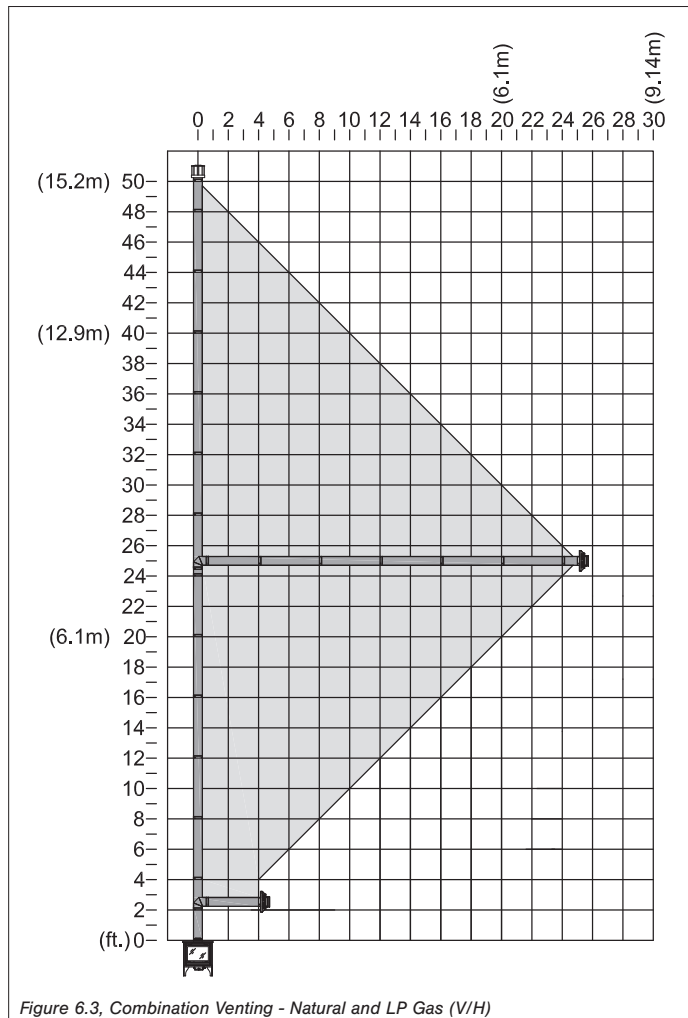
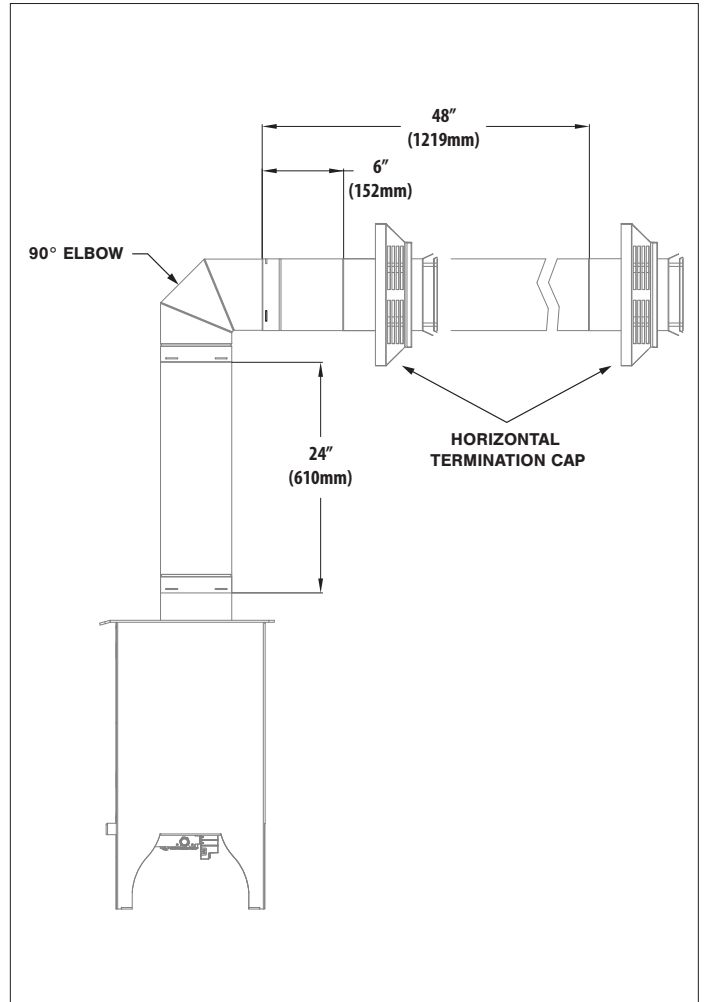


Figure 6.3, Combination Venting - Natural and LP Gas (V/H)

# 7.0 FIREPLACE SET UP

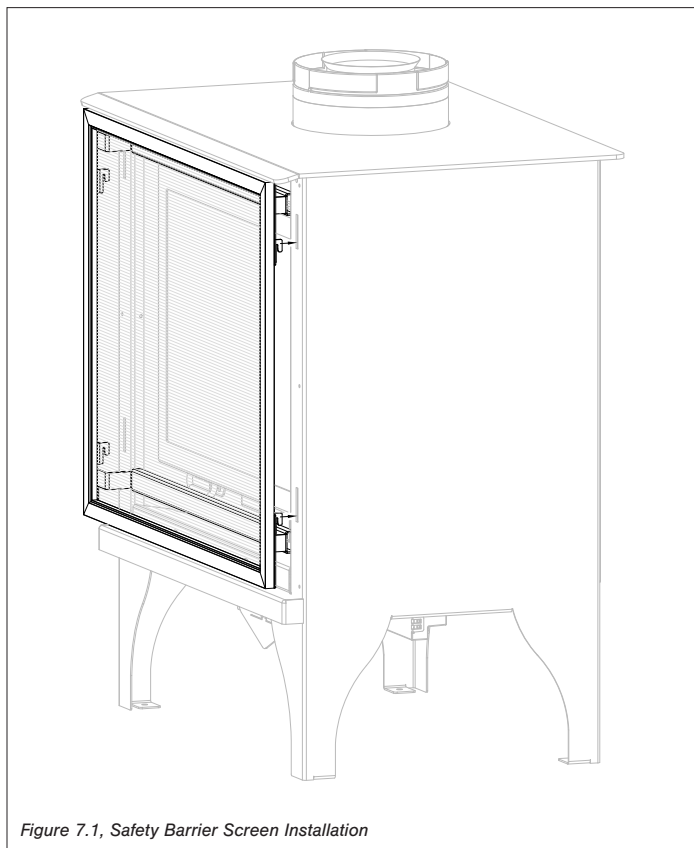
## 7.1 Safety Barrier Installation

### 7.1.1 Safety Barrier Screen (#OP18-SCR)

1. Locate the (4) slots located on each side of the fireplace frame.
  2. Align the notched tabs located on the back of the safety screen with the slots on the fireplace frame.
  3. Raise the safety screen front slightly into slots and allow the tabs to lower into position.
- To remove safety screen: lift the screen up and out of slots.

### 7.1.2 Overlay (#OP18-POL and #OP18-APOL)

1. If installed, remove the safety barrier screen.
  2. Locate the (4) tabs on the overlay. Hand bend tabs to secure the overlay to the safety screen front.
  3. Locate the (4) slots located on each side of the fireplace frame.
  4. Align the notched tabs located on the back of the safety screen with the slots on the fireplace frame.
  5. Raise the safety barrier slightly into slots and allow the tabs to lower into position.
- To remove safety barrier: lift the screen up and out of slots.



## 7.2 Glass Frame Assembly

**WARNING: Do not operate this fireplace with the glass removed, cracked, or broken. Replacement of the glass assembly, should be done by a licensed or qualified service person.**

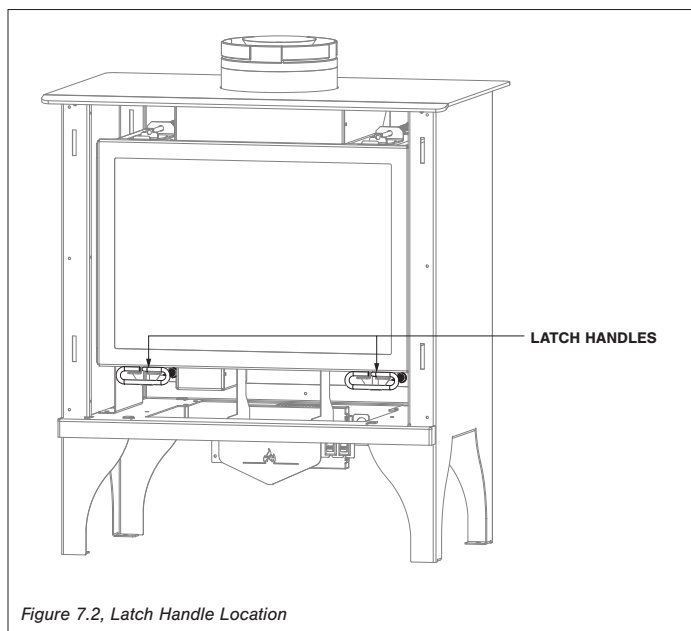
### 7.2.1 Remove Glass Frame Assembly

**WARNING: Do not remove the glass assembly when hot.**

1. Remove the safety screen.
2. Locate (2) spring-loaded latches securing the glass assembly at the bottom of the firebox.
3. Pull the spring-loaded latches out and down to release the bottom of the glass assembly.
4. Lift glass assembly up and off of the (2) tabs located at the top of the firebox.

### 7.2.2 Install Glass Frame Assembly

1. Align the slots on top of the glass assembly over the tabs at the top of the firebox while lowering the bottom of the glass assembly into position.
2. Pull the spring-loaded latches out and up to secure the bottom of glass to the bottom of the fireplace.
3. Reinstall the safety screen.



### 7.3 #OP18-500 Log Set Installation

**CAUTION:** Do not place logs or lava rock directly over burner port holes. Improper log placement may affect flame appearance and cause excessive soot to build upon the logs and glass.

- If converting to LP (propane) gas, complete the conversion before installing the log set. Follow the conversion instructions included with the kit.
  - Log numbers are located on the bottom of each log. Refer to the following instructions and illustrations for proper log placement.
1. Align the holes in the bottom of log OP18-1 with the mounting pins on the burner plate at the back of the firebox. Push log down to seat.
  2. Align the holes in the bottom of logs OP18-2 and OP18-3 with the mounting pins on the burner. Push to seat.
  3. Align the pin on the bottom of log OP18-4 with the hole in base log OP18-2. Position log with notches as shown.
  4. Align the pin on the bottom of log OP18-6 with the hole in base log OP18-3. Position log with notches as shown.
  5. Align log OP18-5 with the notch in log OP18-2 as shown.
  6. Distribute lava rock onto air deflector in front of the burner. Do not block burner ports or airspaces.
  7. Distribute rockwool embers onto the logs and burner using a stiff bristle brush.

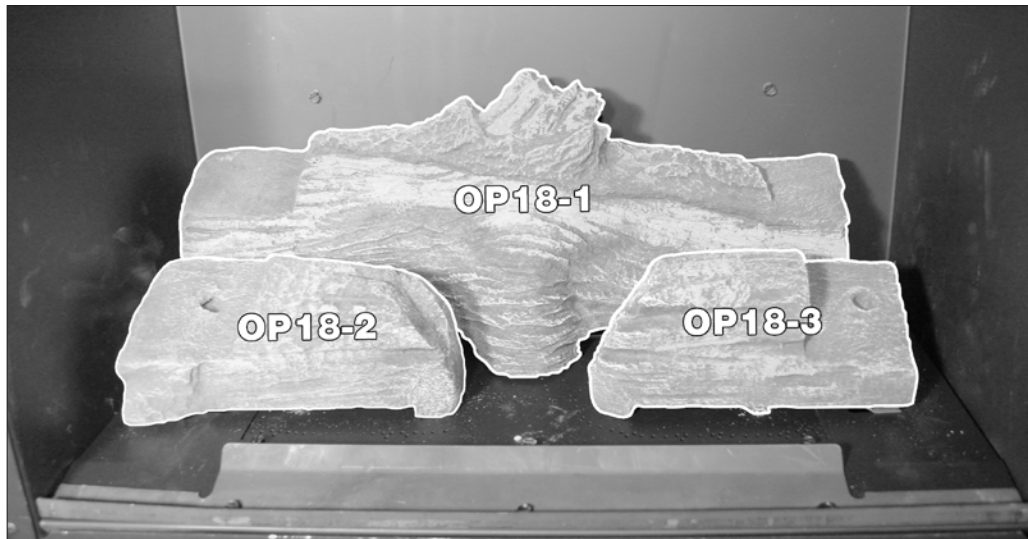


Figure 7.3, Base Logs

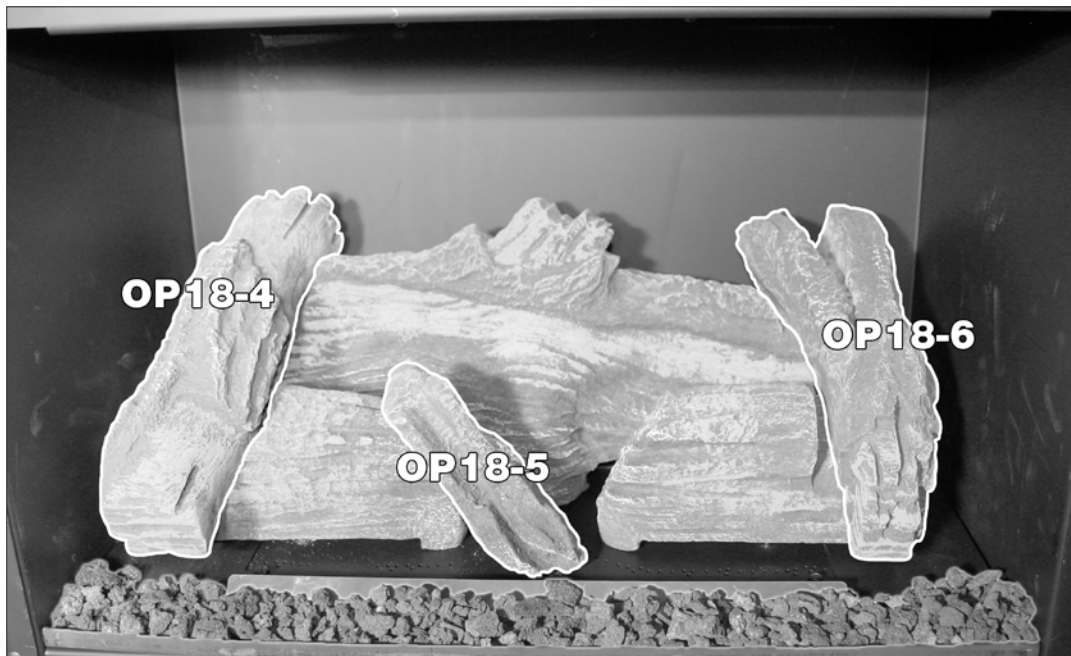


Figure 7.4, Completed Install

## 7.4 Control Board Removal and Installation

**WARNING:** Avoid burns or personal property damage by using appropriate protection to remove any components if the burner and/or pilot have been burning.

**WARNING:** DO NOT operate this appliance without the sealing gasket (located under the control board) in place. If the sealing gasket is damaged, it must be replaced.

**CAUTION:** Check all connections for leaks with soapy water, whether field or factory made.

### 7.4.1 Control Board Removal

1. Disconnect electrical power.
2. Locate the manual valve installed by your qualified service technician. Turn the manual valve clockwise to the OFF position.
3. Disconnect any optional control from the top and bottom terminals on the gas valve, OR unplug all components from receptacle and disconnect all wiring harnesses attached to the gas valve.
4. Remove the safety barrier and glass frame assembly.
5. Remove logs and pilot shield.
6. Remove (3) screws securing the air deflector in front of the burner.
7. Remove (3) screws underneath the previously removed air deflector securing burner assembly to the firebox floor.
8. Remove (3) screws at the back wall of the firebox securing the burner assembly.
9. Release the burner tube venturi off of the burner orifice and remove the burner assembly from the firebox.
10. Remove and save (8) screws securing the control board. Lift the control board and control module out of the firebox, being careful not to damage sealing gasket underneath.

### 7.4.2 Control Board Installation

1. Place the control module in the firebox, aligning the holes in the control board with the holes in the firebox bottom. **VERIFY SEALING GASKET IS IN PLACE.**
2. Secure the control board to the firebox using (8) screws previously removed.
3. Position the burner tube venturi over the burner orifice.
4. Align the holes in the burner assembly with the holes in the back of the firebox and the firebox floor. Secure with (6) screws previously removed.
5. Reinstall air deflector (3) screws previously removed.
6. Reinstall pilot shield and log set.
7. Reconnect any optional control wires to the top and bottom gas valve terminals, OR reconnect all wiring harnesses to the gas valve. Plug all components into an electrical outlet.
8. Reinstall the glass frame assembly and safety barrier.
9. Turn the manual valve counterclockwise to the ON position.
10. Reconnect electrical power.
11. Verify proper log placement, operation of fireplace, and any electrical components.

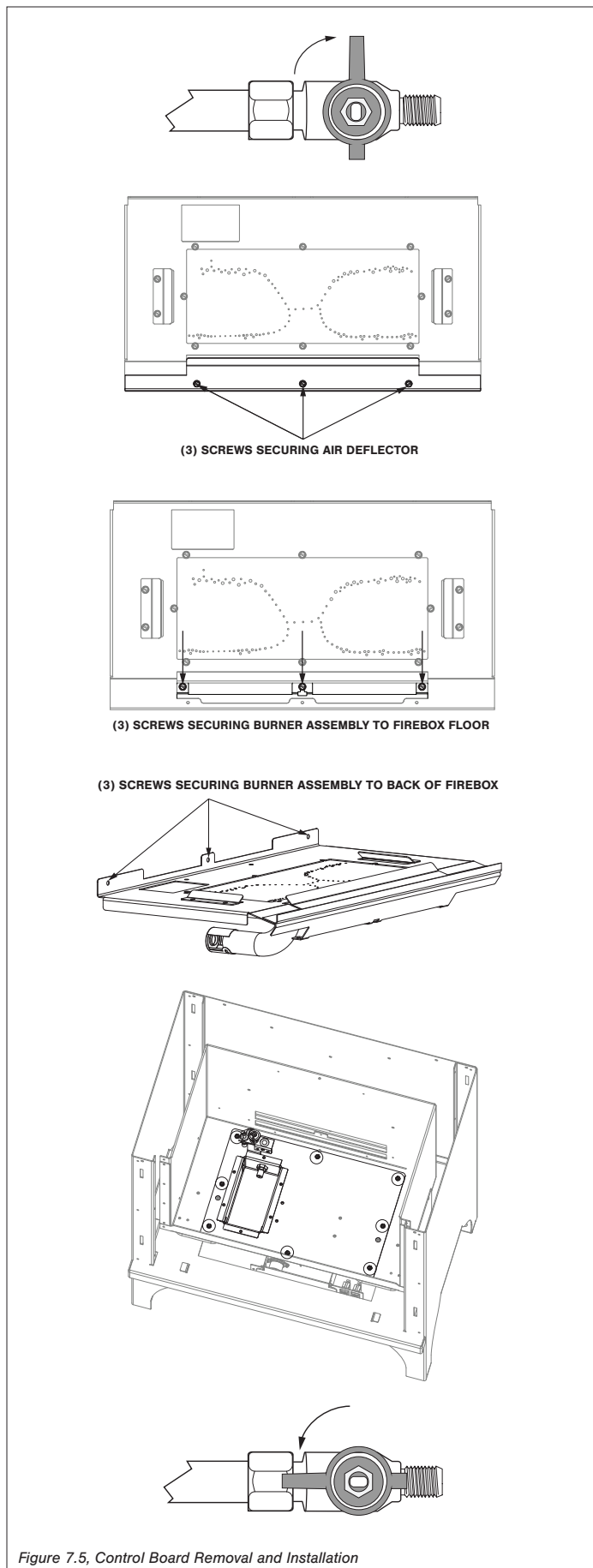


Figure 7.5, Control Board Removal and Installation

## 8.0 ELECTRICAL INFORMATION

**WARNING:** Do not use this fireplace if any part has been under water. Immediately call a qualified service technician to inspect this appliance and to replace any part of the control system and any gas control which has been under water.

**WARNING - Electrical Grounding Instructions:** This appliance is equipped with a three-prong (grounding) plug for your protection against shock hazard and should be plugged directly into a properly grounded three-prong receptacle. Do not cut or remove the grounding prong from this plug.

### 8.1 Electrical Specifications

**WARNING: AN OPTIONAL COMPONENT CONNECTION IS FOR LOW VOLTAGE BATTERY OR DIRECT CURRENT ONLY. DO NOT CONNECT TO 120 OR 240 VOLTS AC.**

This appliance, when installed, must be electrically grounded in accordance with local codes, or in the absence of local codes, with the National Electrical Code, ANSI/NFPA 70, or the Canadian Electrical Code, CSA C22.1.

- Determine if the appliance uses an electronic ignition system or continuous pilot ignition system (millivolt) by locating gas valve and its controls. Access the gas valve by lifting up the valve cover plate underneath the firebox.
- Appliances with the standing pilot ignition system are equipped with a black piezo igniter button. Appliances with electronic ignition system will not have a button.

### 8.2 Wiring Requirements

#### 8.2.1 Electronic Ignition System

- The IFC System Module requires 120VAC power supply and/or batteries to operate. Using the battery back-up will operate the burner only. Optional components will not function on battery back up power.
- If desired, a thermostat or a wall switch may be installed for main burner operational control using low-voltage wires.
- It is optional to disable the main ON/OFF rocker switch operating the main burner by disconnecting the wires from the control module (Figure 8.1).
- If the rocker switch wires are not disconnected, the main ON/OFF rocker switch must be in the OFF position for proper operation of optional controls. If the main ON/OFF rocker switch is ON, the main burner will operate until it is turned OFF by the rocker switch. The thermostat/wall switch components will not turn the main burner off if the main burner has been turned on by the rocker switch.
- If a the wall-mounted ON/OFF control or thermostat is to be used, mount it in a convenient location on a wall near the fireplace. Follow instructions included with assembly.
- If an optional component is to be used, run low-voltage wires from control module to the location of component.

#### 8.2.2 Continuous Pilot Ignition System (Millivolt)

**CAUTION:** Do not connect high voltage (115V) wire to the gas valve.

- The millivolt gas valve system does not require 110-120 VAC supply to operate.
- If desired, a thermostat or a wall switch may be installed for main burner operational control using low-voltage wires.
- It is optional to disable rocker switch operating the main burner by disconnecting the wires from the back of the gas valve (Figure 8.3).
- If the rocker switch wires are not disconnected, the ON/OFF rocker switch must be in the OFF position for proper operation of optional controls. If the ON/OFF rocker switch is ON, the main burner will operate until it is turned OFF by the rocker switch. The thermostat/wall switch components will not turn the main burner off if the main burner has been turned on by the rocker switch.
- If a the wall-mounted ON/OFF control or thermostat is to be used, mount it in a convenient location on a wall near the fireplace. Follow instructions included with assembly.
- If an optional component is to be used, run low-voltage wires from gas valve to the location of component.

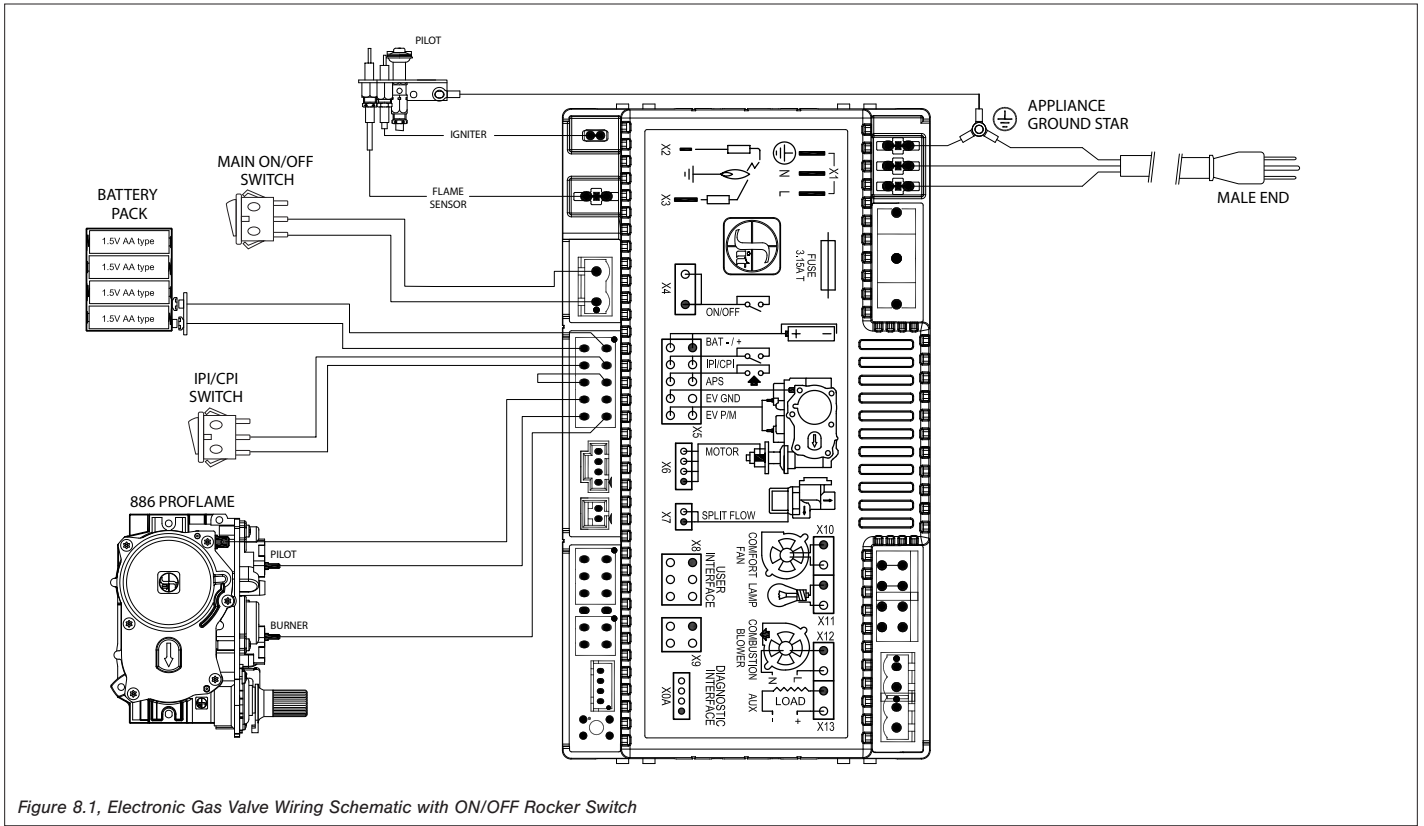


Figure 8.1, Electronic Gas Valve Wiring Schematic with ON/OFF Rocker Switch

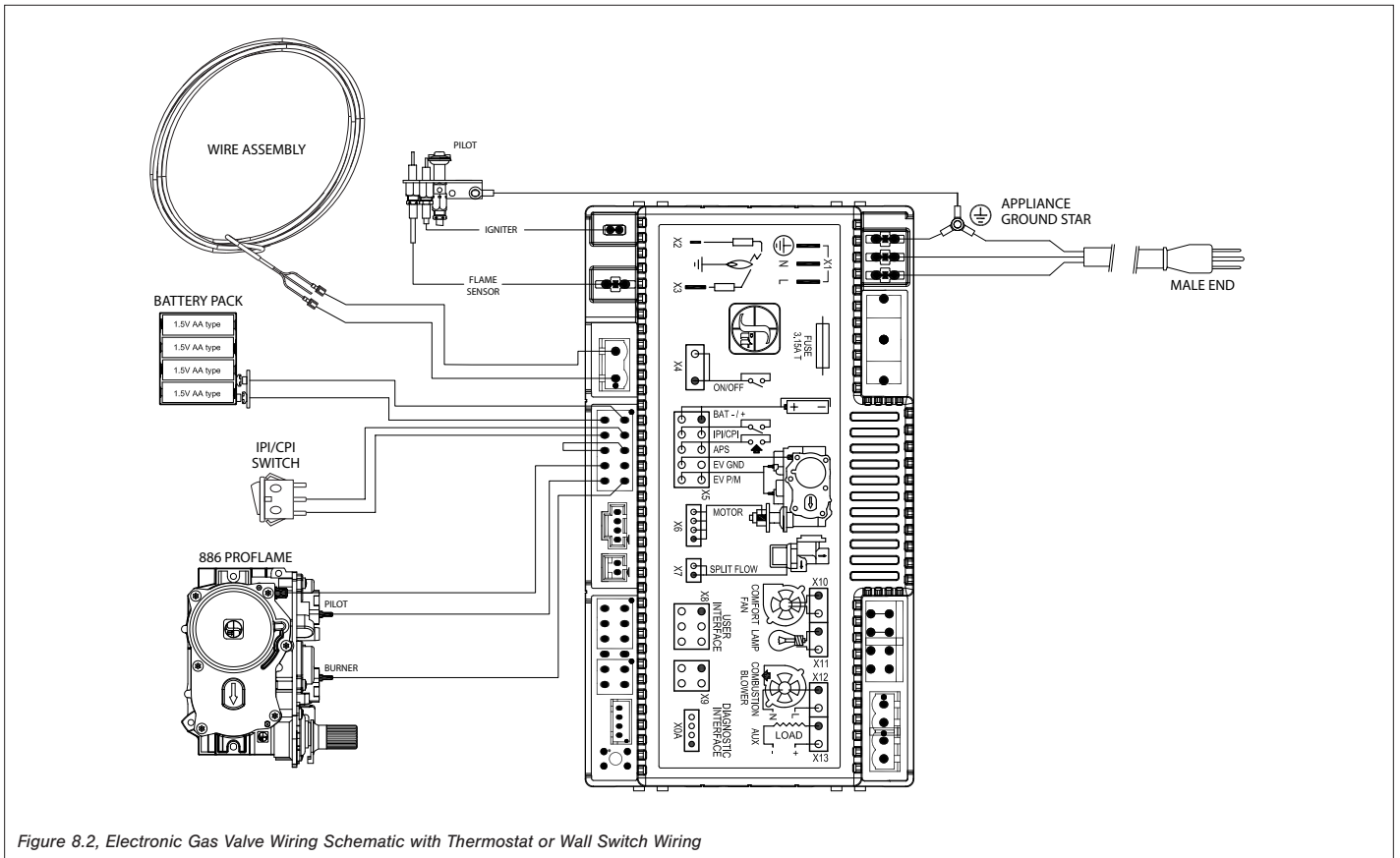


Figure 8.2, Electronic Gas Valve Wiring Schematic with Thermostat or Wall Switch Wiring



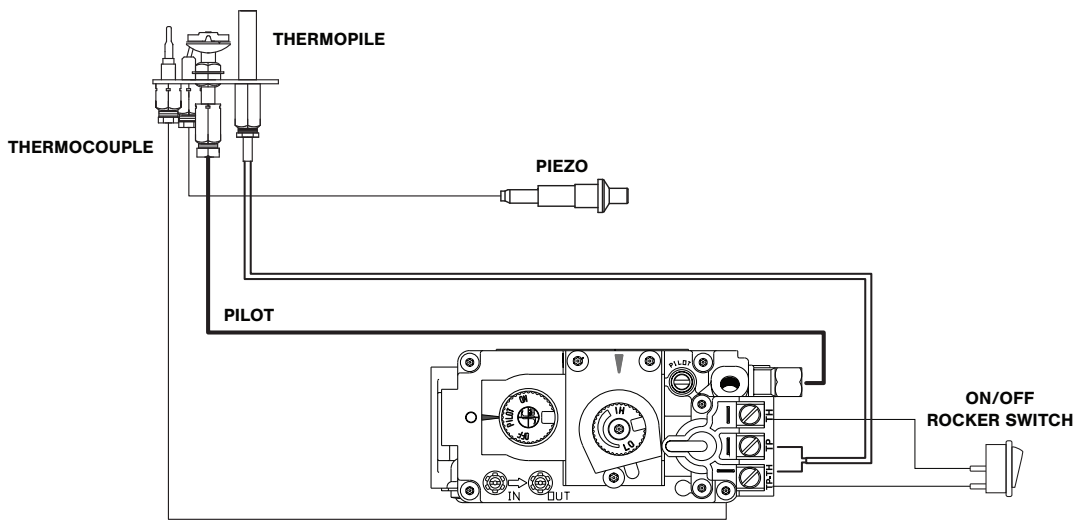
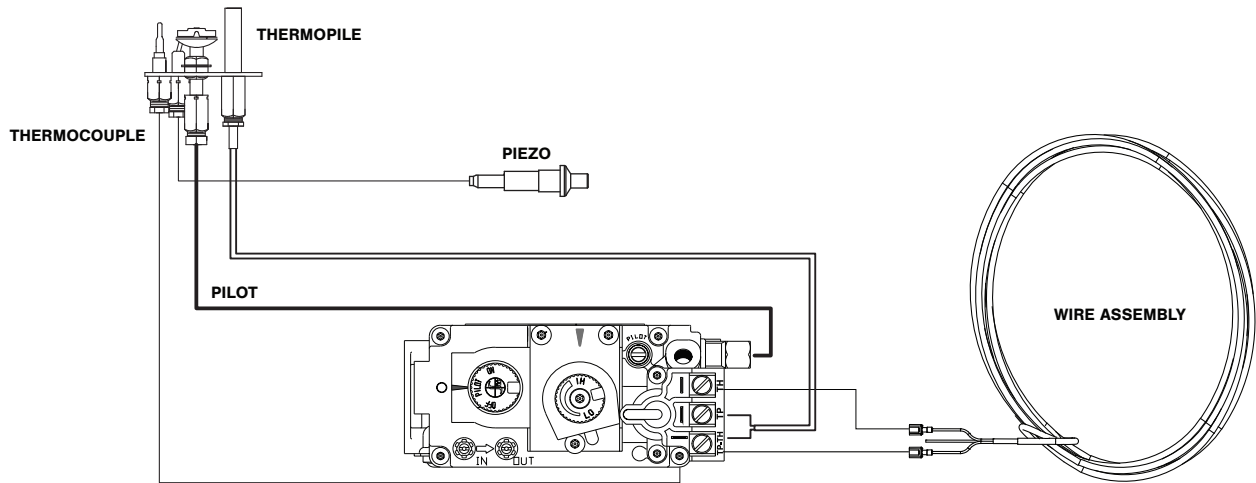


Figure 8.3, Millivolt Gas Valve Wiring Schematic with ON/OFF Rocker Switch



Attach gas valve connectors to the wall switch/thermostat wires, connect to top and bottom terminals marked TH and TP-TH on gas valve

Figure 8.4, Millivolt Gas Valve Wiring Schematic with Thermostat or Wall Switch Wiring

### 8.3 #OP18-028 Optional Fan Kit

**WARNING - Electrical Grounding Instructions:** This appliance is equipped with a three-prong (grounding) plug for your protection against shock hazard and should be plugged directly into a properly grounded three-prong receptacle. Do not cut or remove the grounding prong from this plug.

**WARNING:** Installation of this fan kit should be done by a qualified installer. Verify household breaker is shut off prior to working on any electrical lines.

**IMPORTANT:** This fan will not operate unless speed control has been turned ON and sufficient heat has been applied to temperature control switch. The fan will turn ON and OFF automatically as fireplace heats and cools. Adjust fan to desired speed while it is running.

- Hussong Manufacturing recommends to install an electrical outlet near the gas stove.

This kit includes:

- |   |   |
|---|---|
| (1) Fan assembly - mounted                          | (4) Flange nuts                               |
| (1) Temperature control switch with magnet attached | (1) Speed control box with 5 ft (1524mm) cord |
| (2) Philips head screws (black)                     |   |

1. Remove the safety barrier and the heat shield underneath the firebox.
2. Locate (4) mounting studs underneath the rear of the gas stove. With the motor end facing to the right, slide the fan underneath the firebox.
3. Align the (4) mounting slots in the fan bracket to the mounting studs under the firebox. Lift up the fan and secure the fan assembly to the firebox with (4) flange nuts.
4. Mount the speed control box onto the left side of the gas valve bracket. Align the slots in the speed control box to the holes in bracket. Secure with (2) black philips head screws (included).
5. Place the temperature control switch (magnet attached) onto the firebox floor on the right, as far back as possible to the fan motor.
6. Plug fan cord into the electrical box receptacle.
7. Plug the speed control box cord into a properly grounded three-prong receptacle.
8. Reinstall all components previously removed.
9. Turn speed control counter-clockwise until it 'clicks'. This is the OFF position.  
Turn speed control ON by turning knob clockwise past the 'click' - this is the highest setting.

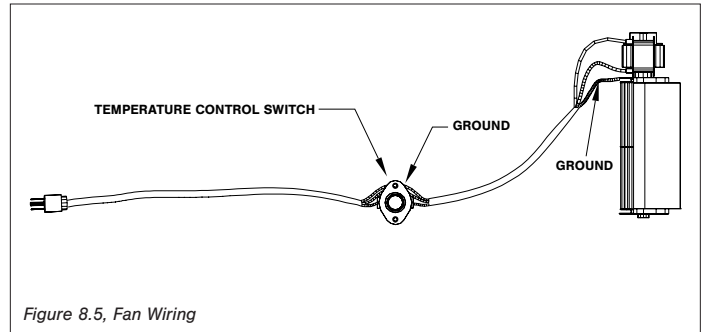
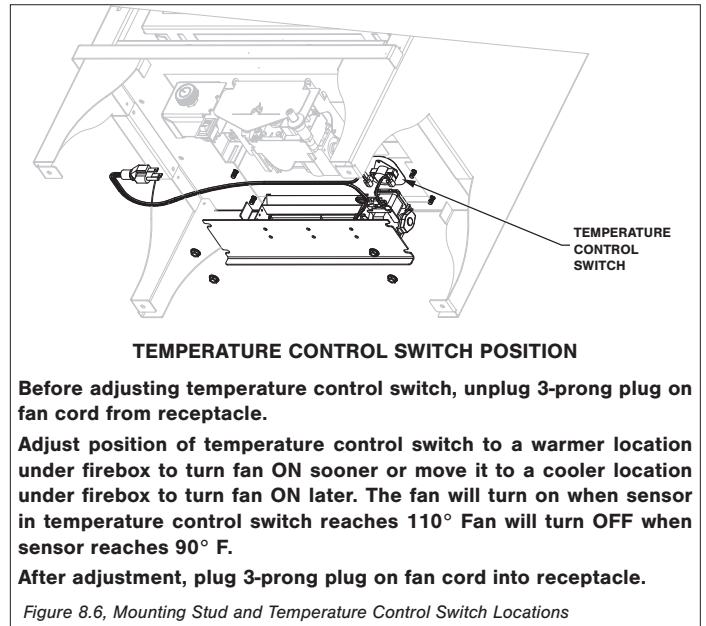


Figure 8.5, Fan Wiring



**Before adjusting temperature control switch, unplug 3-prong plug on fan cord from receptacle.**

**Adjust position of temperature control switch to a warmer location under firebox to turn fan ON sooner or move it to a cooler location under firebox to turn fan ON later. The fan will turn on when sensor in temperature control switch reaches 110° Fan will turn OFF when sensor reaches 90° F.**

**After adjustment, plug 3-prong plug on fan cord into receptacle.**

Figure 8.6, Mounting Stud and Temperature Control Switch Locations

# 9.0 OPERATING INSTRUCTIONS

## 9.1 Lighting Instructions (#OAK-18-LE)

- When this fireplace is initially lit, condensation will appear on the glass. This is normal in all gas fireplaces and will disappear after several minutes.
- A paint smell will occur during the first few hours of burning. It is recommended to leave the fan off during this period to help speed the paint curing process.
- This fireplace may produce noises of varying degree as it heats and cools due to metal expansion and contraction. This is normal, and does not affect the performance or longevity of the fireplace.

### FOR YOUR SAFETY READ BEFORE OPERATING

**WARNING:** If you do not follow these instructions exactly, a fire or explosion may result causing property damage, personal injury, or loss of life.

- A. This appliance is equipped with an ignition device which automatically lights the pilot. Do not try to light the pilot by hand.
- B. **BEFORE OPERATING** smell around the appliance area for gas. Be sure to smell next to the floor because some gas is heavier than air and will settle on the floor.
- WHAT TO DO IF YOU SMELL GAS
- Do not try to light any appliance.
  - Do not touch any electric switch; do not use any phone in your building.
  - Immediately call your gas supplier from a neighbor's phone. Follow the gas supplier's instructions.
  - If you cannot reach your gas supplier, call the fire department.
- C. Use only your hand to turn the gas control manual valve. Never use tools. If the valve will not turn by hand, do not try to repair it; call a qualified service technician. Force or attempted repair may result in a fire or explosion.
- D. Do not use this appliance if any part has been under water. Immediately call a qualified service technician to inspect the appliance and to replace any part of the control system and any gas control that has been under water.

#### WARNING

Do not operate appliance with the glass front removed, cracked, or broken. Replacement of the glass should be done by a licensed or qualified service person.

Under no circumstances should any solid fuel (wood, coal, paper, cardboard, etc.) be used in this appliance.

Children and adults should be alerted to the hazards of high surface temperature and should stay away to avoid burns or clothing ignition.



#### CAUTION

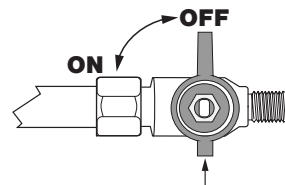
Clothing or other flammable material should not be placed on or near the appliance.

Young children should be carefully supervised when they are in the same room as the appliance. Toddlers, young children and others may be susceptible to accidental contact burns. A physical barrier is recommended if there are at risk individuals in the house. To restrict access to a fireplace or stove, install an adjustable safety gate to keep toddler, young children and other at risk individuals out of the room and away from hot surfaces.


### OPERATING INSTRUCTIONS

**STOP! Read all the safety information above on this page.**

1. Set thermostat to lowest setting (if applicable).
2. Turn off all electric power to the appliance.
3. This appliance is equipped with an ignition device which automatically lights the pilot. Do not try to light the pilot by hand.
4. Locate the ON/OFF rocker switch. Press the ON/OFF rocker switch to "OFF".
5. Locate the manual valve installed by your qualified service technician.
6. Turn the manual valve clockwise  to the OFF position.
7. Wait five (5) minutes to clear out any gas. Then, smell for gas, including near the floor. If you smell gas, STOP! Follow 'B' in the safety information above. If you do not smell gas, go to the next step.
8. Turn the manual valve counterclockwise  to the ON position.
9. Press the ON/OFF rocker switch to "ON".
10. Turn on all electric power to the appliance.
11. Set thermostat to desired setting (if applicable).
12. If the appliance will not operate, follow the instructions, "To Turn Off Gas To Appliance" and call your service technician or gas supplier.



### TO TURN OFF GAS TO APPLIANCE

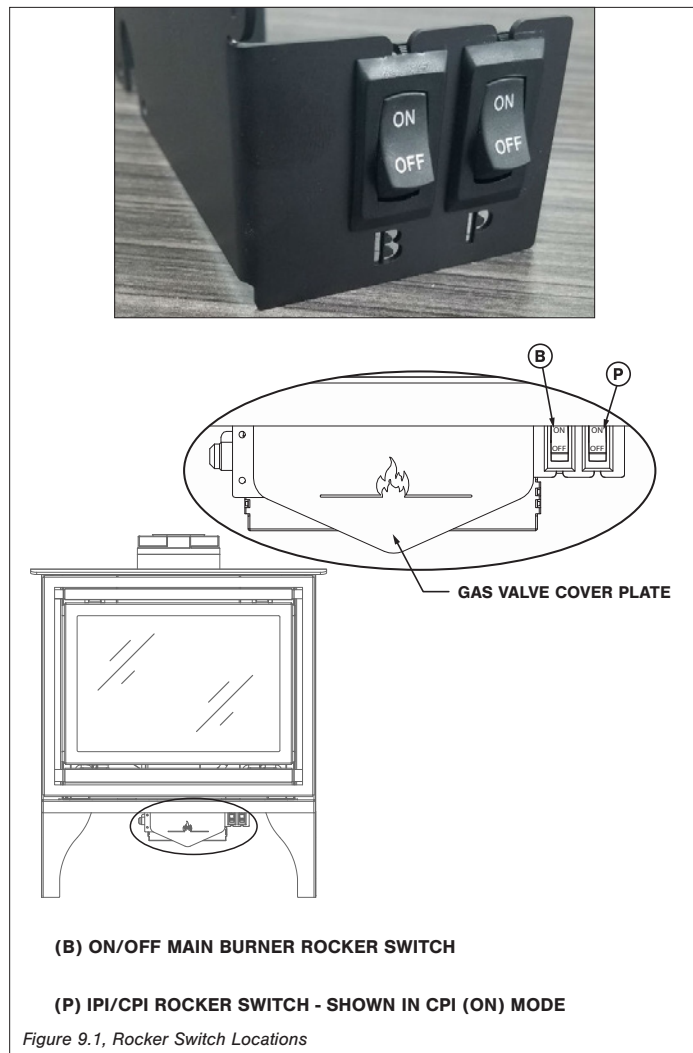
1. Set thermostat to lowest setting (if applicable).
2. Turn off all electric power to the appliance if service is to be performed.
3. Press the ON/OFF rocker switch to "OFF".
4. Locate the manual valve installed by your qualified service technician.
5. Turn the manual valve clockwise  to OFF position.

### 9.1.1 Pilot Ignition Selection (IPI/CPI)

Model #OAK-18-LE (electronic ignition system) has the option of a continuous (standing) pilot. This feature allows the system to change from an intermittent pilot ignition (IPI) system to a continuous pilot ignition (CPI) system. The standing (or continuous) pilot will keep the firebox warm and establish a draft in the vent, which allows the main burner to ignite with less air-flow disruption.

There are (2) rocker switches located on the right side of the gas valve cover plate underneath the firebox. The main burner rocker switch is marked with 'B' and the IPI/CPI pilot rocker switch is marked by 'P'. See Figure 9.1.

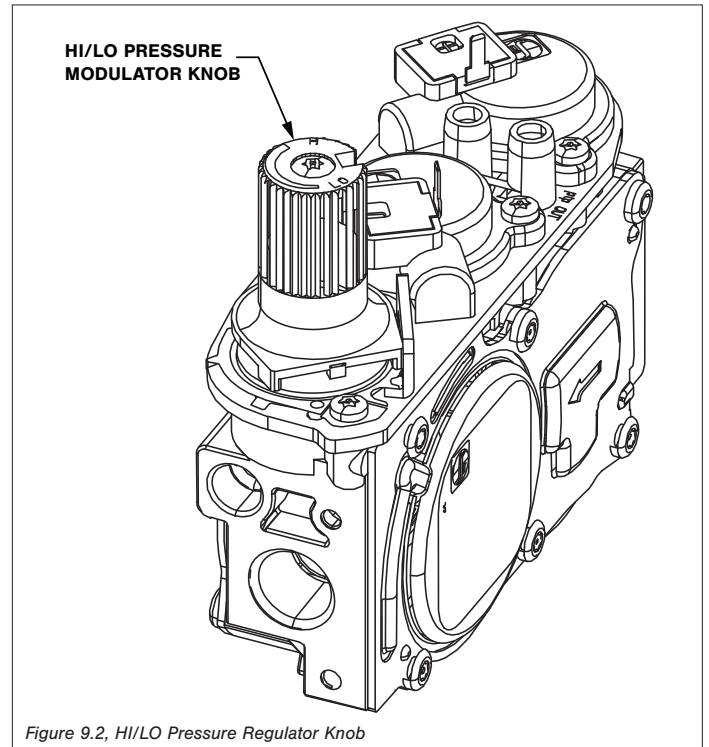
- For intermittent pilot mode (IPI), set the IPI/CPI rocker switch to OFF. The pilot and main burner will ignite and turn off automatically when this IPI/CPI rocker switch is set to OFF.
- For continuous pilot mode (CPI), set the IPI/CPI rocker switch to ON. This will ignite the pilot only. The pilot will remain lit when the main burner ON/OFF rocker switch is pressed to OFF.



### 9.1.2 Flame Height and Heat Output Adjustment

Model #OAK-18-LE (electronic ignition system) is equipped with a manual HI/LO pressure modulator knob for adjusting main burner flame height and the heat output of the gas stove.

- Lift the gas valve cover plate to access the gas valve and the HI/LO pressure regulator knob.
- To adjust, turn the HI/LO knob counterclockwise to LO position or clockwise to HI position, until desired flame appearance and heat output is achieved.



## 9.2 Lighting Instructions (#OAK-18-MV)

- When this fireplace is initially lit, condensation will appear on the glass. This is normal in all gas fireplaces and will disappear after several minutes.
- A paint smell will occur during the first few hours of burning. It is recommended to leave the fan off during this period to help speed the paint curing process.
- This fireplace may produce noises of varying degree as it heats and cools due to metal expansion and contraction. This is normal, and does not affect the performance or longevity of the fireplace.

### FOR YOUR SAFETY READ BEFORE LIGHTING

**WARNING:** If you do not follow these instructions exactly, a fire or explosion may result causing property damage, personal injury, or loss of life.

- A. This appliance has a pilot which must be lighted by hand. When lighting the pilot, follow these instructions exactly.
- B. **BEFORE LIGHTING** smell around the appliance area for gas. Be sure to smell next to the floor because some gas is heavier than air and will settle on the floor.
- WHAT TO DO IF YOU SMELL GAS
- Do not try to light any appliance.
  - Do not touch any electric switch; do not use any phone in your building.
  - Immediately call your gas supplier from a neighbor's phone. Follow the gas supplier's instructions.
- C. If you cannot reach your gas supplier, call the fire department.
- D. Use only your hand to push in or turn the gas control knob. Never use tools. If the knob will not push in or turn by hand, don't try to repair it, call a qualified service technician. Force or attempted repair may result in a fire or explosion.
- E. Do not use this appliance if any part has been under water. Immediately call a qualified service technician to inspect the appliance and to replace any part of the control system and any gas control that has been under water.

#### WARNING

Do not operate appliance with the glass front removed, cracked, or broken. Replacement of the glass should be done by a licensed or qualified service person.

Under no circumstances should any solid fuel (wood, coal, paper, cardboard, etcetera) be used in this appliance.

Children and adults should be alerted to the hazards of high surface temperature and should stay away to avoid burns or clothing ignition.

#### CAUTION

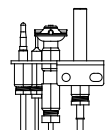
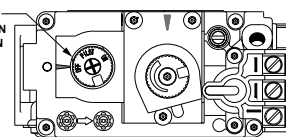
Clothing or other flammable material should not be placed on or near the appliance.

Young children should be carefully supervised when they are in the same room as the appliance. Toddlers, young children and others may be susceptible to accidental contact burns. A physical barrier is recommended if there are at risk individuals in the house. To restrict access to a fireplace or stove, install an adjustable safety gate to keep toddler, young children and other at risk individuals out of the room and away from hot surfaces.

### LIGHTING INSTRUCTIONS

- STOP! Read all the safety information above on this page.
- Set thermostat to lowest setting (if applicable).
- Turn off all electric power to the appliance.
- Lift the gas valve cover plate to access gas controls.
- Push in gas control knob slightly and turn clockwise to "OFF".  
NOTE: Knob cannot be turned from "PILOT" to "OFF" unless knob is pushed in slightly. Do not force.
- Wait five (5) minutes to clear out any gas. Then, smell for gas, including near the floor. If you smell gas, STOP! Follow 'B' in the safety information above. If you do not smell gas, go to the next step.
- Locate pilot - follow metal tube from gas control. The pilot is located inside the combustion chamber.
- Push in gas control knob slightly and turn counterclockwise to "PILOT".
- Push in control knob all the way and hold. Press the piezo igniter button repeatedly until the pilot is lit and continue to hold in the gas control knob.
- Hold the gas control knob in for one (1) minute after pilot is lit. Release knob and it will pop back up. Pilot should remain lit. If it goes out, repeat steps 5 through 10.
  - If the knob does not pop out when released, stop and immediately call your service technician or gas supplier.
  - If the pilot will not stay lit after several tries, turn the gas control knob to "OFF" and call your service technician or gas supplier.
- Turn the gas control knob counterclockwise to "ON".
- Set the gas valve cover plate back into position.
- Turn on all electric power to the appliance.
- Set thermostat to desired setting (if applicable).

GAS CONTROL KNOB SHOWN IN "OFF" POSITION



### TO TURN GAS OFF TO APPLIANCE

- Set thermostat to lowest setting (if applicable).
- Turn off all electric power to the appliance if service is to be performed.
- Lift the gas valve cover plate to access gas controls.
- Push in gas control knob slightly and turn clockwise to "OFF".
- Set the gas valve cover plate back into position.

# 10.0 ADJUSTMENT

## 10.1 Gas Pressure Testing

**NOTE:** The appliance and its appliance main gas valve must be disconnected from the gas supply piping system during any pressure testing of the system at test pressures in excess of ½ psi (3.5 kPa).

**IMPORTANT:** Pressure check taps for manifold (outgoing) and inlet (incoming) pressure have been incorporated into the valve. The pressure tap marked OUT measures outgoing pressure. The pressure tap marked IN measures incoming pressure.

### 10.1.1 Electronic Gas Valve Pressure Testing

#### 10.1.1.1 Inlet Pressure Test

**NOTE:** Make sure to apply these incoming pressure test with all other gas appliances on, or at full capacity in the house for proper pressure reading.

**IMPORTANT:** If the inlet pressure reading is too high or too low, contact the gas company. Only a qualified gas service technician should adjust incoming gas pressure.

1. Loosen the inlet (IN) pressure tap by turning screw counter-clockwise. See (A) in Figure 10.1.
2. Attach manometer using a ¼ in (6 mm) I.D. hose.
3. Set IPI/CPI rocker switch to CPI (ON).
4. Light pilot. Check manometer reading.
5. Press the main ON/OFF rocker switch to ON. Burner should light. Check pressure to ensure it is between the minimum and maximum recommended pressure settings.
6. Set IPI/CPI rocker switch to IPI (OFF). Press the main ON/OFF rocker switch to OFF. Pilot and burner should turn off.
7. Disconnect hose and tighten the inlet (IN) pressure tap by turning screw clockwise. Screw should be snug. Do not over tighten.
8. Relight pilot and burner. Then reattach manometer to the inlet pressure tap (A) to verify the tap is completely sealed. Manometer should read no pressure.

#### 10.1.1.2 Manifold Pressure Test

1. Light pilot.
2. Loosen manifold (OUT) pressure tap by turning screw counter-clockwise. See (B) in Figure 10.1.
3. Attach manometer to pressure tap using a ¼ in (6 mm) I.D. hose.
4. Set IPI/CPI rocker switch to CPI (ON).
5. Press the main ON/OFF rocker switch to ON. Burner should light. Check manometer reading.
6. Set IPI/CPI rocker switch to IPI (OFF). Press the main ON/OFF rocker switch to OFF. Pilot and burner should turn off.
7. Disconnect manometer hose and tighten the manifold (OUT) pressure tap by turning screw clockwise. Screw should be snug. Do not over tighten.
8. Attach the manometer to the manifold pressure tap (B) to verify it is completely sealed. The manometer should read no pressure when pilot and burner are on.

Gas Pressure	Natural Gas	LP Gas
Inlet Pressure Tap (A)	5" - 10.5" WC (1.25 - 2.62 kPa)	12" - 13" WC (2.99 - 3.24 kPa)
Manifold Pressure Tap (B)	1.6" - 3.5" WC (0.41 - 0.87 kPa)	6.4" - 10" WC (1.59 - 2.48 kPa)

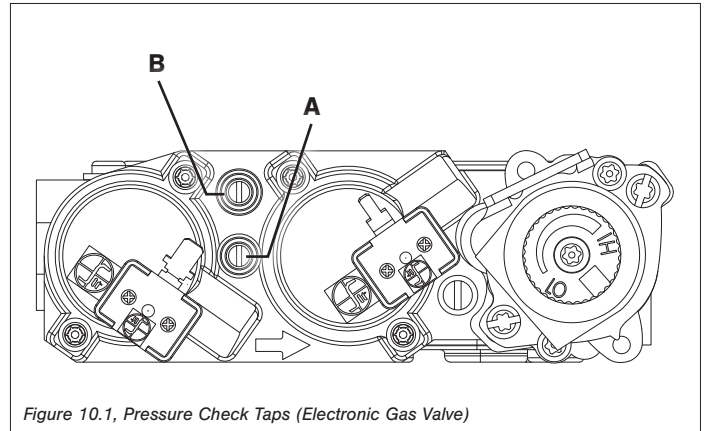


Figure 10.1, Pressure Check Taps (Electronic Gas Valve)

## 10.1.2 Millivolt Gas Pressure Testing

**IMPORTANT:** Pressure check taps for manifold (outgoing) and inlet (incoming) pressure have been incorporated into the valve. The pressure tap marked OUT measures outgoing pressure. The pressure tap marked IN measures incoming pressure.

### 10.1.2.1 Inlet Pressure Test

**NOTE:** Make sure to apply the incoming pressure test with all other gas appliances on, or at full capacity in the house for a proper pressure reading. If the inlet pressure reading is too high or too low, contact the gas company. Only a qualified gas service technician should adjust incoming gas pressure. A low pressure can cause a delayed ignition.

1. Loosen the inlet (IN) pressure tap by turning screw counterclockwise. See (A) in Figure 10.2.
2. Attach manometer using a ¼ in (6 mm) I.D. hose.
3. Light pilot.
4. Turn the gas control knob to ON. Burner should not light. Note manometer reading.
5. Press the ON/OFF rocker switch to ON. Check pressure to ensure it is near maximum inlet pressure.
6. Press the ON/OFF rocker switch to OFF.
7. Turn the gas control knob to OFF.
8. Disconnect hose and tighten the inlet (IN) pressure tap by turning screw clockwise. Screw should be snug. Do not over tighten.
9. Relight pilot and turn the gas control knob to ON. Reattach manometer to the inlet pressure tap (A) to verify the tap is completely sealed. Manometer should read no pressure.

### 10.1.2.2 Manifold Pressure Test

1. Light pilot.
2. Loosen manifold (OUT) pressure tap by turning screw counterclockwise. See (B) in Figure 10.2.
3. Attach manometer to pressure tap using a ¼ in (6 mm) I.D. hose.
4. Turn gas control knob to ON.
5. Press the rocker switch to ON and note manometer reading.
6. Disconnect manometer hose and tighten the manifold (OUT) pressure tap by turning screw clockwise. Screw should be snug. Do not over tighten.
7. Attach the manometer to the manifold pressure tap (B) to verify it is completely sealed. The manometer should read no pressure when the ON/OFF rocker switch is pressed to ON.

Gas Pressure	Natural Gas	LP Gas
Inlet Pressure Tap (A)	5" - 10.5" WC (1.25 - 2.62 kPa)	11" - 13" WC (2.74 - 3.24 kPa)
Manifold Pressure Tap (B)	1.6" - 3.5" WC (0.41 - 0.87 kPa)	6.4" - 10" WC (1.59 - 2.48 kPa)

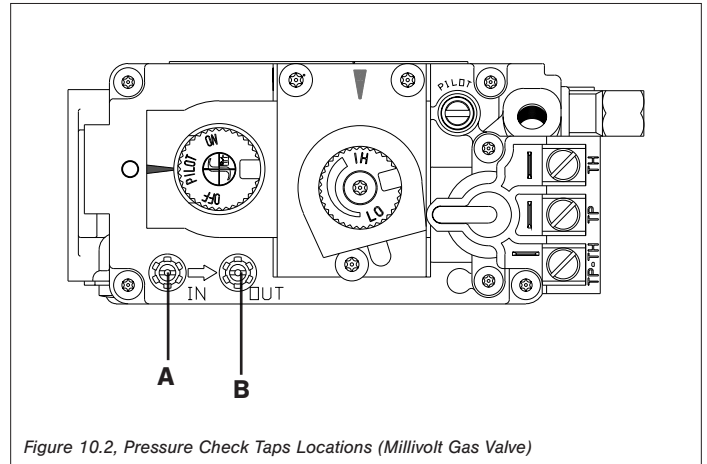


Figure 10.2, Pressure Check Taps Locations (Millivolt Gas Valve)

## 10.2 Burner Flame Adjustments

**WARNING:** To avoid property damage or personal injury, allow the fireplace ample time to cool before making any adjustments.

Burner flame appearance and characteristics are affected by altitude, fuel quality, venting configuration, and other factors. After installation, this appliance may need additional adjustments to achieve optimum flame appearance and visual aesthetics.

### 10.2.1 Burner Venturi

**WARNING:** VENTURI ADJUSTMENT MUST BE DONE BY A QUALIFIED SERVICE TECHNICIAN.

**NOTE:** Burner venturi air shutter settings have been factory set. Refer to Table 10.3.

When this appliance is first lit, the burner flames will appear blue. During the first 15 minutes of operation, flame appearance will gradually turn to the desired yellow appearance. If the flames remain blue, or become dark orange with evidence of sooting (black tips), adjustment of the air shutter opening may be necessary.

Regardless of venturi orientation, closing the air shutter will achieve a desired yellow flame, but may produce soot on the glass. Opening the air shutter will cause a short, blue flame that may lift off the burner.

Fuel	Air Shutter Opening
Natural Gas	1/8" (3 mm) OPEN
LP Gas	5/8" (15 mm) OPEN

#### 10.2.1.1 Venturi Adjustment

**NOTE:** If soot is present on the glass, check log positioning before adjusting the venturi. Logs must not block burner ports.

1. Remove the safety barrier and glass frame assembly.
2. Remove the log set and pilot shield.
3. Remove the air deflector (3) screws.
4. Remove (3) screws underneath the previously removed air deflector and (3) screws at the back of the firebox.
5. Remove burner assembly from firebox.
6. Loosen screw on venturi and adjust as necessary. Re-tighten screw.
7. Reinstall all components previously removed.

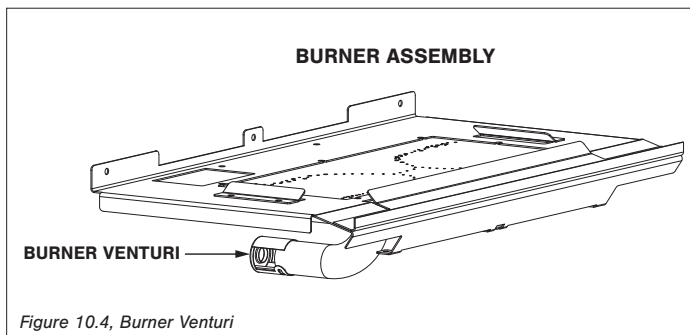


Figure 10.4, Burner Venturi

**IMPORTANT:** Slight adjustments to the venturi opening will create dramatic results. Adjust at slight increments until desired look is achieved. Always burn the fireplace insert for at least 15 minutes, and allow the appliance ample time to cool before making any further adjustments.

Flame Characteristic	Cause	Solution
Dark, orange flame with black tips	Venturi closed too far	Open venturi slightly
Short, blue flames	Venturi open too far	Close setting slightly
Lifting (ghosting) flames	Gas pressure too high Venturi closed too far	Check manometer settings Open venturi setting slightly

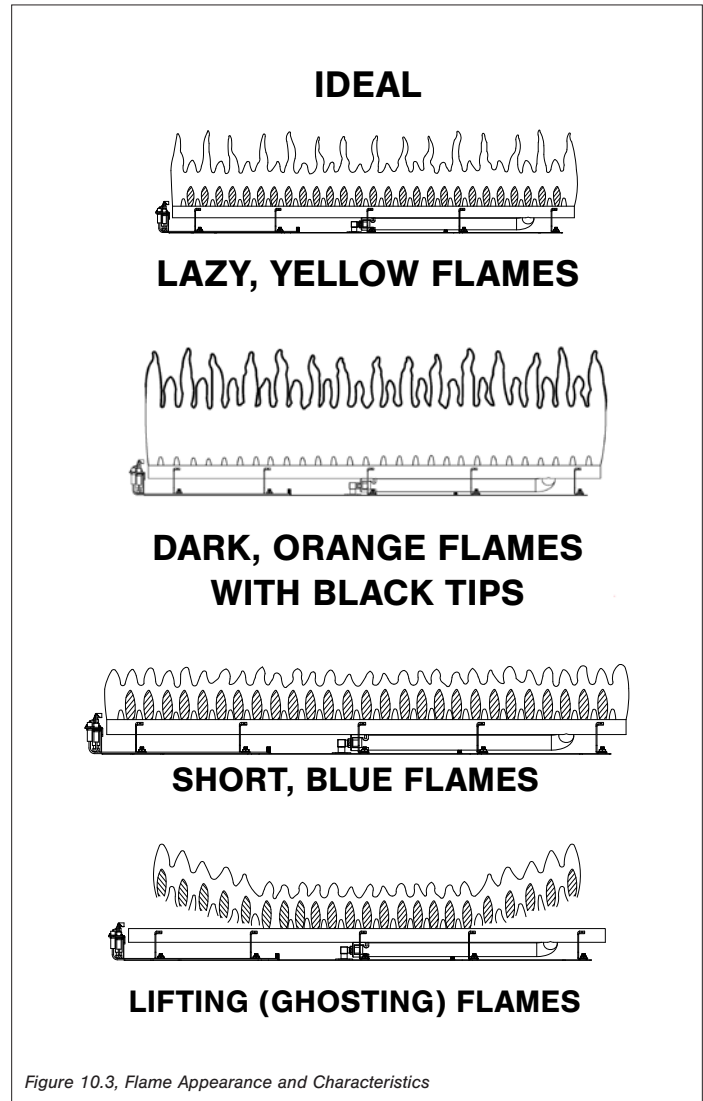


Figure 10.3, Flame Appearance and Characteristics



## 10.2.2 Vent Restriction

**WARNING: To avoid property damage or personal injury, allow the fireplace ample time to cool before making any adjustments.**

**WARNING: Improper vent installation may cause the burner flames to lift or “ghost.” Perform a visual check on flame appearance after restrictor adjustment to ensure proper performance.**

Vertical terminations may display an active, compact flame. To achieve desirable flame appearance, the vent exhaust may be restricted by the restrictor plate (included in components packet) and/or by adjusting the built-in restrictor located in the fireplace baffle.

This fireplace is shipped with the baffle restrictor set in position for natural gas minimum horizontal venting. Follow the tables below to adjust vent restriction to the desired flame appearance. Allow the fireplace to burn for 15 minutes before making any adjustments to these settings.

For outlined vent restriction recommendations for venting installations, please refer to Table 6.2, Recommended Restriction for Vertical Terminations on page 18 and Table 6.5, Recommended Restriction for Combination Venting on page 19.

Table 10.5, Restrictor Adjustment for Flame Appearance		
Flame Appearance	Draft Problem	Vent Restriction
Short, flickering	Excessive draft Not enough restriction	Close baffle restrictor
		Install restrictor plate
Lifting or ghosting*	Insufficient draft Too much restriction	Open baffle restrictor
		Remove inner ring(s) on restrictor plate, or remove restrictor plate
*If flames continue to lift or ghost after opening the baffle restrictor or installing and verifying correct vent installation, shut off the gas supply and call a qualified service technician.		

### 10.2.2.1 Baffle Restrictor Adjustment

1. Remove the safety barrier and glass frame assembly to access the baffle restrictor.
2. Remove and save (1) screw to adjust the baffle restrictor to achieve desired flame appearance.
3. Secure baffle restrictor with (1) screw previously removed.
4. Reinstall the glass frame assembly and safety barrier.

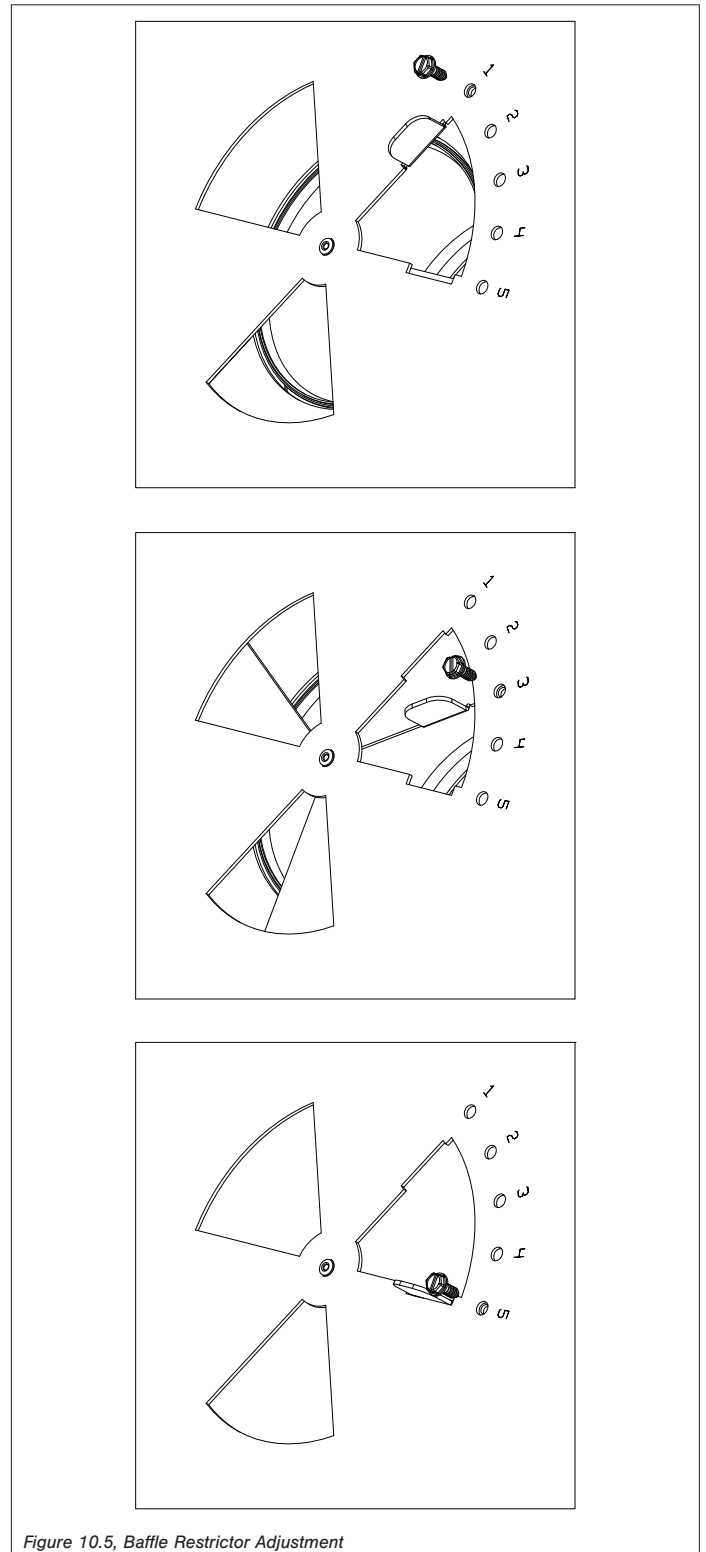


Figure 10.5, Baffle Restrictor Adjustment

### 10.2.2.2 Restrictor Plate Installation

1. Remove the safety barrier and the glass frame assembly.
2. Remove (2) screws at the firebox back wall securing the baffle. Remove baffle to access venting.
3. Bend the tabs on the restrictor plate (included in components packet) to approximately 80° angles. This will create tension when the restrictor is inserted into the exhaust pipe.
4. Insert restrictor into the 4 in (102 mm) exhaust pipe with the tabs pointing towards you.
5. Reinstall baffle by resting the front of the baffle above flange along the inside top of firebox opening. Tip the baffle against the firebox back wall, and secure with (2) screws previously removed.
6. Reinstall all components previously removed.

### 10.2.2.3 Restrictor Plate Modification

1. Remove the safety barrier and the glass frame assembly.
2. Remove (2) screws at the firebox back wall securing the baffle. Remove baffle to access venting.
3. Remove the restrictor by pulling it down and out of the 4 in (102 mm) exhaust pipe. Make necessary modifications to achieve desired flame appearance.
4. Insert restrictor into the 4 in (102 mm) exhaust pipe with the tabs pointing towards you.
5. Reinstall baffle by resting the front of the baffle above flange along the inside top of firebox opening. Tip the baffle against the firebox back wall, and secure with (2) screws previously removed.
6. Reinstall all components previously removed.

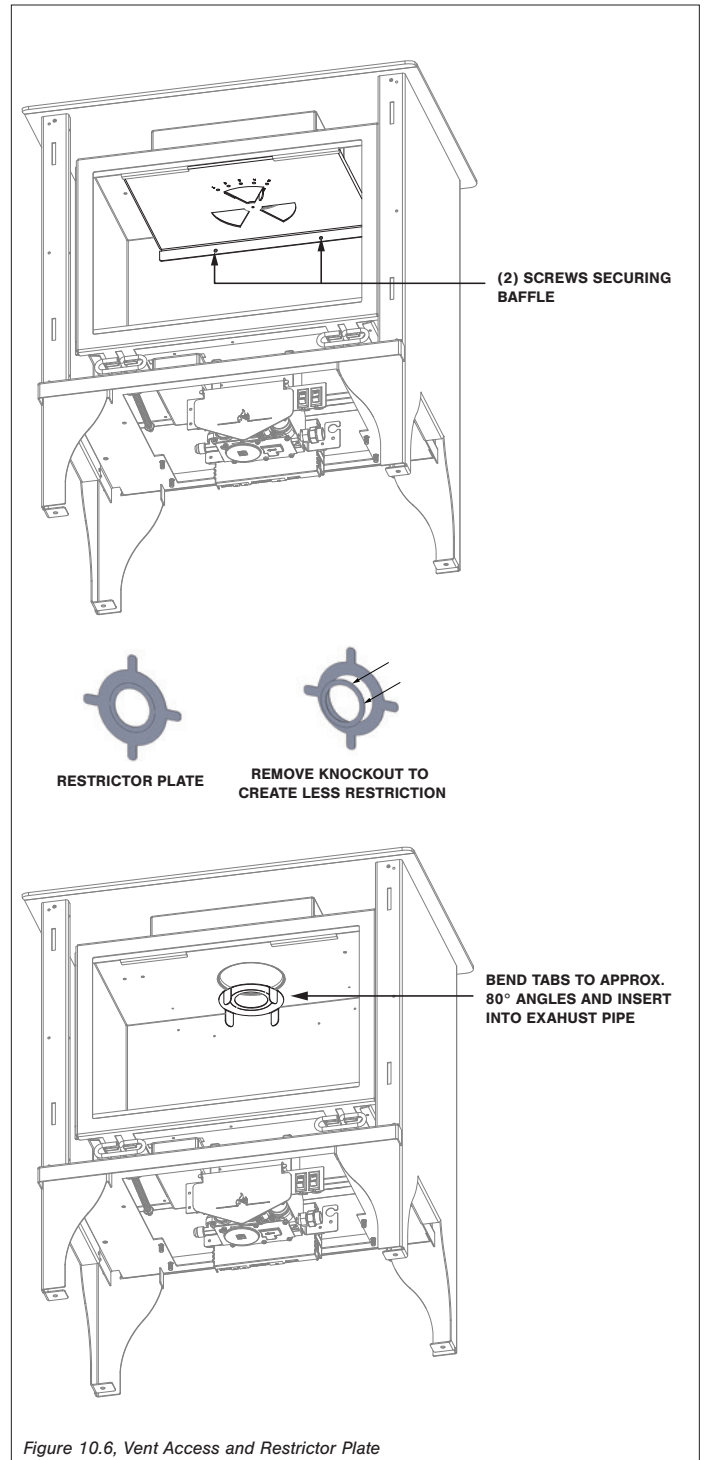


Figure 10.6, Vent Access and Restrictor Plate

# 11.0 TROUBLESHOOTING

## 11.1 Electronic Ignition System Troubleshooting

**ATTENTION: Troubleshooting must be performed by a qualified technician.**

Before proceeding with the steps in the following troubleshooting guide,

- Verify proper 120VAC power supply to the control module.

- Verify the control module battery pack are fresh and installed with correct polarity.
- Verify all connections between the wire harnesses and the system components are proper and positive.
- Verify inlet pressure meets the recommended inlet pressure. If necessary, adjust line pressure regulator.

Issue	Cause	Solution
<b>Pilot will not light</b>	Electrical power interrupted or disconnected	Restore electrical power to appliance or use battery back-up.
	Wiring disconnection	Ensure batteries are fully charged if using battery back-up as power source. Use wiring schematic in this manual to determine that all wiring connections are secure and correct.
	Gas supply turned off	Check remote shut-off valves from the appliance. Usually there is a valve near the main gas line. There may be more than (1) valve between the appliance and main gas line.
<b>Pilot will not stay lit</b>	No LP (propane) gas in tank	Check LP (propane tank). Refill if necessary.
	Low gas pressure	Consult a plumber or a gas supplier. Can be caused by situations such as a bent line, too narrow diameter or pipe, or a low line pressure.
	Pilot flame not making contact with the flame rectification sensor on the pilot assembly	Verify the pilot flame envelopes the top of the flame sensor and extends far enough onto burner for ignition. To adjust pilot flame, turn pilot adjustment screw on the gas valve clockwise to decrease flame, and counterclockwise to increase flame.
	Pilot adjustment screw not sealed	Seal pilot adjustment screw. Do not over-tighten.
<b>Pilot flame always on, or will not extinguish</b>	Control system set to CPI mode	Set control system to IPI mode.
<b>Main burner flame will not light</b>	ON/OFF rocker switch in OFF position	Switch rocker switch to ON position.
	Gas supply turned off	Check for multiple shut-offs in the supply line. Verify gas supply is turned on.
	Low gas supply	Consult with plumber or gas supplier. Check LP (propane) tank. Refill if necessary.
	Wiring disconnection or improper wiring	Check for faulty or incorrect wiring.
	Plugged main burner orifice	Remove blockage.
	Pilot flame	Verify the pilot flame is properly directed to ignite burner. See pilot flame troubleshooting above.

Issue	Cause	Solution
<b>Pilot and burner extinguish while in operation</b>	No LP (propane) gas in tank	Check LP (propane) tank. Refill if necessary.
	Incorrect glass assembly installation	Refer to Section 7.2 Glass Frame Assembly on page 20.
	Incorrect vent cap installation	Adjust if necessary.
	Vent cap blockage	Remove debris if necessary.
	Improper pitch on horizontal venting	¼ in. (6 mm) rise per foot (30 cm) is required on horizontal venting
	Exhaust vent pipe leaking exhaust gases back into firebox	Check for leaks and repair if necessary.
	Excessive draft	A restrictor may need to be installed or modified. Refer to Section 10.2.2 Vent Restriction on page 33.
<b>Soot appears on glass</b>	Improper log placement	Refer to Section 7.3 #OP18-500 Log Set Installation on page 21.
	Improper venturi setting	Venturi air shutter may need to be opened slightly to allow more air into the gas mix. Refer to Section 10.2.1 Burner Venturi on page 32.
	Incorrect vent cap installation	Adjust if necessary.
	Vent cap blockage	Remove debris if necessary.
<b>Flame burns blue and lifts off burner</b>	Improper venturi setting	Venturi air shutter may need to be opened slightly to allow more air into the gas mix. Refer to Section 10.2.1 Burner Venturi on page 32.
	Incorrect vent cap installation	Adjust if necessary.
	Blockage or leakage of the vent system	Check the vent pipes for leaks, and the vent cap for debris. Repair the vent pipes or remove debris from vent cap, if necessary.
<b>No reaction to command</b>	Battery back up batteries low	Replace batteries.

## 11.2 Continuous Pilot Ignition (Millivolt) System Troubleshooting

**ATTENTION:** Troubleshooting must be performed by a qualified technician.

Issue	Cause	Solution
<b>No spark from electrode to pilot when piezo button is triggered</b>	Piezo igniter wiring disconnection	Verify piezo igniter is properly grounded. Tighten mounting fastener, if required. Check and repair, if necessary, the wire connections between the piezo igniter and igniter electrode.
	Check wiring disconnection	Check wiring at back of electrode igniter for proper connection.
	Incorrect electrode position	Verify there is a 1/8 in (3 mm) gap between the electrode and pilot. Readjust if necessary. Direct metal contact may cause an arc below the electrode and along the electrode wire.
<b>Spark igniter will not light after repeated triggering of piezo button</b>	No gas	Check for multiple shut-off valves in the supply line.
		Check LP (propane) tank for gas supply. Refill if necessary.
<b>Pilot will not stay lit after carefully following lighting instructions</b>	Pilot flame does not impinge on thermocouple	Clean pilot hood
		Adjust pilot flame at gas valve for proper flame impingement.
	Loose thermocouple connection	Ensure thermocouple connection at gas valve is full inserted and tight - hand tight plus 1/4 turn.
	Thermocouple reading below 15 millivolts	Disconnect the thermocouple from valve. Place one millivolt meter lead wire on the end of the thermocouple, and the other millivolt meter lead wire on the thermocouple's copper wire. Start the pilot while holding the gas valve control knob in. If the millivolt reading is less than 15 millivolts, replace thermocouple.
	Thermopile not generating sufficient millivolts	Adjust, if necessary, the pilot flame to envelope thermopile.
Check thermopile connections are properly wired to the gas control valve. Tighten if necessary.		
Measure millivolt production with a millivolt meter. Turn remote/ thermostat/wall switch, or ON/OFF rocker switch to OFF. Turn the gas valve control to the PILOT position (pilot should remain lit). Take millivolt reading at TH-TP and TP terminals on gas valve. Reading should be 350 millivolts, minimum. If reading is less than 350 millivolts, replace thermopile.		
<b>Frequent pilot outages</b>	Pilot shield not installed	Install pilot shield.
	Pilot safety dropout	Pilot flame is too high or too low. Clean pilot hood and adjust pilot flame for maximum flame impingement on thermopile.

Issue	Cause	Solution
<b>Burner will not light</b>	Lighting instructions not followed	Turn gas control knob to ON position. Turn the ON/OFF rocker switch to ON position. Put wall switch, remote control, or thermostat in heat demand position.
	Plugged main burner orifice	Remove blockage as necessary.
	Switching device is defective	Check remote, thermostat, or wall switch wires for proper connection. Place jumper wires across terminals at switch. If the burner lights, replace the defective switch, thermostat, or batteries in remote control as necessary. If switching device checks out as described above, place jumper wires across switches on the gas valve. If the burner lights, the switching wires are faulty or connections are bad. Replace as necessary.
<b>Burner will not stay lit</b>	Thermopile wires loose at valve terminals	Tighten if necessary.
	Thermopile wires ground out due to pinched wires	Free pinched wires if necessary.
	Improper refractory panel placement (if installed)	Refractory panels must be tight against firebox walls. It may be necessary to secure panels with high-temperature sealant, especially around the intake duct.
<b>Pilot and burner extinguish while in operation</b>	No LP gas in tank	Check LP (propane) tank. Refill if necessary.
	Incorrect glass frame assembly installation	Refer to Section 7.2 Glass Frame Assembly on page 20.
	Improper pitch on horizontal venting	¼ in (6 mm) per 12 in (30 cm) is required on horizontal venting
	Defective thermopile or thermocouple	Check thermopile and thermocouple for proper millivolts
	Inner vent pipe leaking exhaust gases back into firebox	Check for leaks and repair if necessary.
	Vent cap blockage	Remove debris if necessary.
<b>Glass sooting</b>	Improper log placement	Refer to Section 7.3 #OP18-500 Log Set Installation on page 21.
	Improper venturi setting	Venturi may need to be opened slightly to allow more air into the gas mix. Refer to Section 10.2.1 Burner Venturi on page 32.
	Incorrect vent cap installation	Adjust if necessary.
	Vent cap blockage	Remove debris if necessary.
<b>Flame burns blue and lifts off burner</b>	Improper venturi setting	Venturi may need to be opened slightly to allow more air into the gas mix. Refer to Section 10.2.1 Burner Venturi on page 32.
	Incorrect vent cap installation	Adjust if necessary.
	Blockage or leakage of the vent system	Check the vent pipe for leaks, and the vent cap for debris. Repair vent pipe or remove debris from vent cap if necessary.

# 12.0 MAINTENANCE

**ATTENTION:** Installation and repair should only be done by a qualified service person. The appliance should be inspected before use and at least annually by a professional service person. More frequent cleaning might be required due to excessive lint from carpeting, bedding material, et cetera. It is imperative that control compartments, burners, and circulating air passageways of the appliance be kept clean. Use a vacuum to clean all components.

**WARNING:** The appliance area must be kept clear and free from combustible materials, gasoline and other flammable vapors and liquids.

## 12.1 Burner and Pilot System

The burner assembly may be removed for easier access to the control compartment. Refer to Section 7.4 Control Board Removal and Installation on page 22.

**Performed by:** Qualified Service Person

**Frequency:** Annually

**Action:**

- Vacuum all components of the burner system.
- Visually check burner ports for blockage, especially near the pilot.
- Visually check pilot light and burner flame pattern when in operation. Flames should be steady, not lifting or floating. Refer to Figure 10.3, Flame Appearance and Characteristics on page 32.

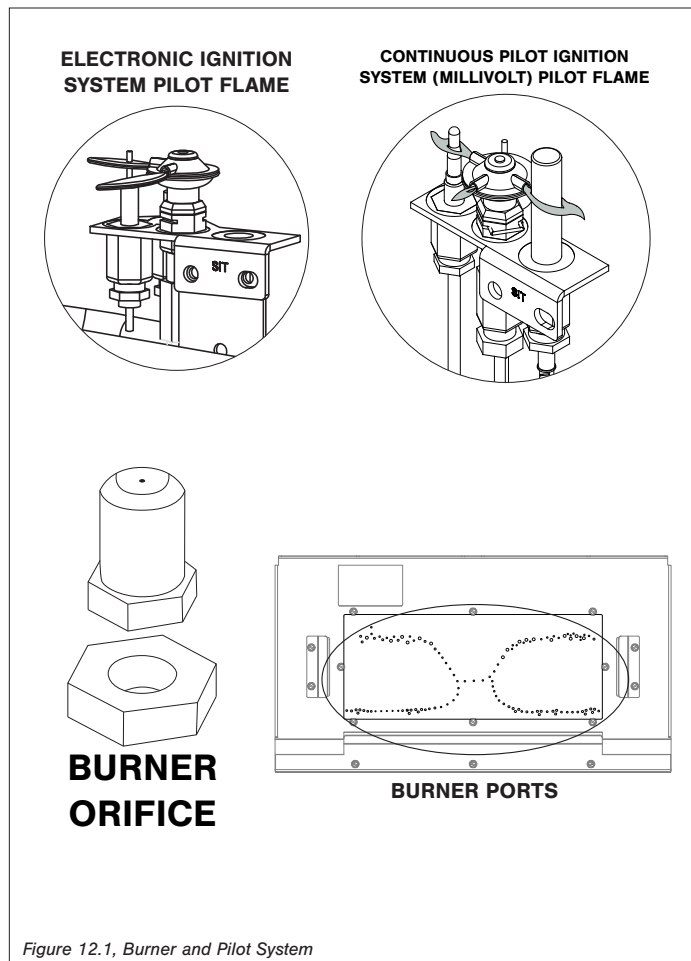


Figure 12.1, Burner and Pilot System

## 12.2 Fan (optional)

**CAUTION:** Label all wires prior to disconnection when servicing controls. Wiring errors can cause improper and dangerous operation. Verify proper operation after servicing.

**Performed by:** Qualified Service Person

**Frequency:** Every 6 months

**Action:**

- Disconnect the fan from electrical current and vacuum.
- The bearings are sealed and require no oiling.

## 12.3 Vent System

**NOTE:** If the vent-air intake system is disassembled for any reason, reinstall per instructions provided with installation. Refer to 6.0 Venting on page 16.

**Performed by:** Qualified Service Person

**Frequency:** Annually

**Action:**

- Examination of the vent system is required.
- The flow of combustion and ventilation air must not be obstructed.

## 12.4 Glass Assembly

**CAUTION:** Do not operate appliance with the glass assembly removed, cracked, or broken. Use protective gloves to handle any broken or damaged glass assembly components.

**WARNING:** Do not use substitute materials.

**WARNING:** Avoid striking or slamming glass assembly. Avoid abrasive cleaner. DO NOT clean glass while it is hot.

**IMPORTANT:** Any safety screen, guard, or barrier removed for servicing the appliance must be replaced prior to operating the appliance.

**Performed by:** Homeowner

**Frequency:** Annually

**Action:**

- Prepare a work area large enough to accommodate the glass assembly on a flat, stable surface.
- Remove safety screen and glass frame assembly.
- Clean glass with a soft cloth and a non-abrasive cleaner.
- Reinstall glass assembly and safety screen.
- Any safety screen, guard, or barrier removed for servicing the appliance must be replaced prior to operating the appliance.

**Performed by:** Qualified Service Person

**Frequency:** Annually

**Action:**

- Inspect the glass for cracks, scratches, and nicks.
- Verify the glass assembly is properly intact and not damaged.
- Replace the glass and the assembly #OP18-057T as necessary.
- Only Hussong Mfg. Co., Inc. will supply the replacement of glass assembly as a complete unit.

# 13.0 REPLACEMENT PARTS LIST

Replacement parts are available through your local dealer. Contact your local dealer for availability and pricing.

## OAK-18-LE CONTROL BOARD AND PARTS

Control Board - NG	OP18-140	Pilot Orifice - NG #62	700-166
Control Board - LPG	OP18-141	Pilot Orifice - LPG #35	700-168
S.I.T. IPI Gas Valve - NG	700-600	36 in. Flexible Gas Line - Black	700-236B
S.I.T. IPI Gas Valve - LPG	700-600-1	Flexible Gas Line - Valve to Burner Connection	700-226
Proflame 2 IFC Board	700-758	NG Burner Orifice #43	700-243
IFC Wire Harness Assembly	700-602	LPG Burner Orifice #54	700-254
On/Off Rocker Switch	700-023	Conversion Kit - NG	NCK-OP18LE-S
Proflame 2 On/Off Wire Harness	700-656	Conversion Kit - LPG	LCK-OP18LE-S
Pilot Assembly - NG	700-193	Burner Plate	OP18-350
Pilot Assembly - LPG	700-193-1	Burner	OP18-351

## OAK-18-MV CONTROL BOARD AND PARTS

Control Board - NG	OP18-770	Pilot Orifice - NG #51	700-165
Control Board - LPG	OP18-771	Pilot Orifice - LPG #30	700-095
S.I.T. Gas Valve - NG	700-086N	Pilot Hood	700-098
S.I.T. Gas Valve - LPG	700-087A	36 in. Flexible Gas Line - Black	700-236B
On/Off Rocker Switch	700-023	Flexible Gas Line - Valve to Burner Connection	700-226
Pilot/Generator/Thermocouple - NG	700-088	NG Burner Orifice #43	700-243
Pilot/Generator/Thermocouple - LPG	700-089	LPG Burner Orifice #54	700-254
Piezo Igniter with nut (no wire)	700-090	Conversion Kit - NG	OCK-S43A
Flexible Pilot Tubing (valve to pilot)	700-091	Conversion Kit - LPG	OCK-S54A
Millivolt Generator	700-092	Burner Plate	OP18-350
Thermocouple	700-093	Burner	OP18-351

## GLASS AND GLASS PARTS

11-1/8" x 16-9/16" Glass with Gasket	701-014T
1-1/8" Glass Gasket	900-006
Replacement Valance	OP18-005

## SAFETY BARRIERS

Safety Barrier Screen (only)	OP18-SCR
Prairie Design Overlay	OP18-POL
Arched Prairie Design Overlay	OP18A-POL

## LOG SET

6 Piece Log Set	OP18-500
#1 Log	OP18-1
#2 Log	OP18-2
#3 Log	OP18-3
#4 Log	OP18-4
#5 Log	OP18-5
#6 Log	OP18-6
Lava Rock 1/2" (12 mm)	600-702
Lava Rock 1/4" (6 mm)	600-703

**Hussong Manufacturing Co., Inc.**  
**P.O. Box 577**  
**204 Industrial Park Drive**  
**Lakefield, MN 56150-0577**  
**USA**  
**OAK-18-LE and OAK-18-MV**



# LIMITED WARRANTY

## Kozy Heat Limited 10 Year Warranty

This limited 10 Year Warranty will not become effective until the Warranty Registration Form has been completed and mailed to Hussong Manufacturing Co., Inc., P.O. Box 577, Lakefield, MN 56150. This registration form must be received within 30 days of installation. Failure to do so may result in delayed warranty coverage and submission of proof of purchase will be required.

Hussong Manufacturing Co., Inc. warrants to the original purchaser of this Kozy Heat Fireplace, that it is free of defects in materials and workmanship at the time of manufacture.

Subject to the following conditions & requirements, Hussong Manufacturing Co., Inc. extends the following limited warranty under normal use and service, with respect to the Kozy Heat line of gas burning fireplaces.

### Year 1

Subject to the conditions & requirements listed below, within the first year from date of purchase, Hussong Manufacturing Co., Inc. shall, at its discretion, replace or repair any such defect in material or workmanship, at Hussong Manufacturing Co., Inc.'s expense, including reasonable labor costs to repair or replace the defective component, if a factory pre-authorization is given for the repair.

### Years 2 through 10

Subject to the conditions & requirements listed below, beginning with the first day of the second year and continuing through the tenth year, Hussong Manufacturing Co., Inc., will at its discretion, provide repair or replacement parts at current list prices for any defect in material or workmanship of components, including optional components and accessories (if available). Hussong Manufacturing Co., Inc. shall not be responsible for any installation, labor, transportation of other indirect costs.

## Limitation of Liability

To make a claim under this warranty, the purchaser must first contact the dealer/installer from whom the fireplace was purchased.

This limited warranty will be void if the fireplace is not installed by a qualified installer and according to the installation instructions. Use of unauthorized components will make this warranty null and void.

This limited warranty also is void if the fireplace is not operated, at all times, according to the operating instructions furnished.

This warranty is limited to defects in material and workmanship. It does not apply to any product that has been subject to negligence, misapplication, improper installation.

No person is authorized to extend the time of this warranty or to accept on Hussong Manufacturing Co., Inc.'s behalf any additional obligation of liability connected with the unit.

It is expressly agreed and understood that this warranty is Hussong Manufacturing Co., Inc.'s sole obligation and purchaser's exclusive remedy for defective fireplace equipment. Hussong Manufacturing Co., Inc. shall not be liable for any consequential, incidental or contingent damages whatsoever. The foregoing warranty is exclusive and in lieu of all other expressed warranties. Hussong Manufacturing Co., Inc. shall not be held to implied warranties or merchantability and fitness for a particular purpose. This warranty replaces all previous warranty policies.

Some states do not allow the exclusion or limitation of incidental or consequential damages or limitations on how long an implied warranty lasts, so the above limitations or exclusions may not apply to you. This warranty gives you specific legal rights and you may also have other rights which vary from state to state.

Hussong Manufacturing Co., Inc. reserves the right to make changes at any time, without notice, in design, material, specifications and prices. Hussong Manufacturing Co., Inc. reserves the right to discontinue models and products.

December 2014

## Warranty Conditions and Requirements

1. You are the original purchaser. This warranty is not transferable.
2. Installation of the fireplace is performed by a qualified installer.
3. Installation and operation must comply with installation and operation instructions.
4. Paint and glass gaskets are covered for 30 days from date of purchase.
5. Remote controls and all optional accessories are covered for 1 year from date of purchase.
6. This warranty does not offer coverage for Light Bulbs, Batteries or Fuses (whether factory, dealer or installer supplied). This includes any damage stemming from either component's nonuse.
7. Components broken, (including glass panels), during shipping, careless handling of components, or defects resulting from improper installation, misuse of the fireplace and components are not covered under this warranty.
8. This warranty does not cover any part of the fireplace or any components which have been exposed to or submerged underwater.
9. Hussong Manufacturing Co., Inc. must be notified by the dealer the fireplace was purchased from or a qualified installer/service technician of the defect.
10. Annual service of the fireplace as required in the installation manual, is performed by a qualified installer/service technician. (Copies of such service records may be required to claim a warranty).
11. All previous warranty/service has been performed by a qualified installer or service technician. (Copies of such service records may be required to claim a warranty).



# LIFETIME WARRANTY

LIFETIME WARRANTY COVERAGE WILL BE EXTENDED AS DESCRIBED BELOW PROVIDED ALL WARRANTY CONDITIONS AND REQUIREMENTS ARE MET AS OUTLINED IN THE 10 YEAR LIMITED WARRANTY POLICY.

## Lifetime Warranty Coverage

### LIFETIME WARRANTY IS EXTENDED AS FOLLOWS:

Hussong Manufacturing Co., Inc. warrants to the original purchaser that the firebox, heat exchanger, fiber logs, burner tube and glass panel of this Kozy Heat Fireplace will not be defective in material or workmanship under normal use and service for as long as you own this product. If any of these components fail due to defects in material and workmanship under normal use and service, Hussong Manufacturing Co., Inc. will, at its sole discretion, repair or replace the defective component. This LIFETIME WARRANTY does not cover any installation, labor, transportation or other indirect cost arising from defective components.

## Limitation of Liability

This Lifetime Warranty will be void if the fireplace is not installed by a qualified installer and according to the installation instructions. Use of unauthorized components will make this warranty null and void. This Lifetime Warranty also is void if the fireplace is not operated, at all times, according to the operating instructions furnished. This warranty is limited to defects in material and workmanship of components specified. It does not apply to any product that has been subject to negligence, misapplication, improper installation.

No person is authorized to extend the time of this Lifetime Warranty or to accept on Hussong Manufacturing Co., Inc.'s behalf any additional obligation of liability connected with the unit.

Hussong Manufacturing Co., Inc. may fully discharge all obligations with respect to this Lifetime Warranty by refunding the wholesale price of the defective component(s).

It is expressly agreed and understood that this Lifetime Warranty is Hussong Manufacturing Co., Inc.'s sole obligation and original purchaser's exclusive remedy for defective fireplace equipment. Hussong Manufacturing Co., Inc. shall not be liable for any consequential, incidental or contingent damages whatsoever other than those incurred by Hussong Manufacturing Co., Inc. to repair or replace the defective component. The foregoing warranty is exclusive and in lieu of all other expressed warranties. Hussong Manufacturing Co., Inc. shall not be held to implied warranties, including but not limited to the implied warranties or merchantability and fitness for a particular purpose. This lifetime warranty replace all previous lifetime warranty policies.

Hussong Manufacturing Co., Inc. reserves the right to make changes at any time, without notice, in design, material, specifications and prices. Hussong Manufacturing Co., Inc. reserves the right to discontinue models and products.

**To activate this Lifetime Warranty coverage, this registration card must be completed and mailed with your completed 10 Year Limited Warranty form within 30 days of installation to the following address:**

**Hussong Manufacturing Co., Inc.  
P.O. Box 577  
204 Industrial Park Drive  
Lakefield, MN 56150-0577**

September 2011

CUT ALONG DOTTED LINE

**PURCHASER NAME:** \_\_\_\_\_

**ADDRESS:** \_\_\_\_\_  
\_\_\_\_\_

**TELEPHONE:** \_\_\_\_\_  
\_\_\_\_\_

**INSTALLER NAME:** \_\_\_\_\_

**ADDRESS:** \_\_\_\_\_  
\_\_\_\_\_

**TELEPHONE:** \_\_\_\_\_  
\_\_\_\_\_

**INSTALLATION DATE:** \_\_\_\_\_

**MODEL NUMBER:** \_\_\_\_\_

**SERIAL NUMBER:** \_\_\_\_\_

**KOZY  HEAT**  
FIREPLACES  
HUSSONG MANUFACTURING CO., INC.