



Jøtul G1 545 DV Winter Harbor



# JØTUL GI 545 DV WINTER HARBOR

## FEATURES

- JøtulBurner II delivers unsurpassed burner technology and flame picture realism
- Reliable millivolt gas controls
- Choice of two firebox options:
  - Standard Blower or Optional Blower
- 3" x 3" venting
- 50% turn down
- Invisimesh safety screen barrier
- Choice of Burner Media:
  - Traditional Logs or Beach Fire
- Choice of Required Overlay:
  - Cast Iron: Matte Black Paint or Blue Black Enamel
  - Steel Rectangular: Bronze, Jøtul Iron™ or Matte Black
- Choice of Overlay Backer Frame:
  - 3-sided: (40" W x 26"H, 41"W x 28"H, 42"W x 30")
  - 3-sided trimmable backer panel: (46"W x 34"H)
  - 4-sided trimmable backer panel: (46"W x 34"H)



Jøtul GI 545 DV Winter Harbor shown with Beach Fire burner media, Black Fluted liner, and Jøtul Iron rectangle steel overlay and Matte Black backer frame.

## SPECIFICATIONS

Minimum Fireplace Dimensions:

30"W x 20"H x 15"D x 20"W (Back Width)

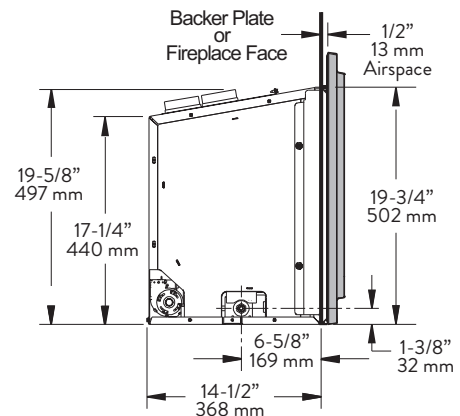
Glass Viewing Area: 28 5/8" x 14 7/8"

BTU input range: 30,000-16,000 (NG)  
28,000-13,500 (LP)

Heating Capacity: up to 1,800 sqft

A.F.U.E. Efficiency: (NG) 72.3% / (LP) 72.1%

CSA P4.1-02 Fireplace Efficiency: (NG) 63.28% / (LP) 65.39%



## OPTIONS

- Choice of liner kits: Traditional Red Brick, Black Fluted, and Black Reflective Glass panels
- Blower (for blower optional unit)
- Remote
- Wall Thermostat

